



Towbar Fitting Instructions
Subaru Liberty Sedan
Part Number SB25
Rating 1250Kg

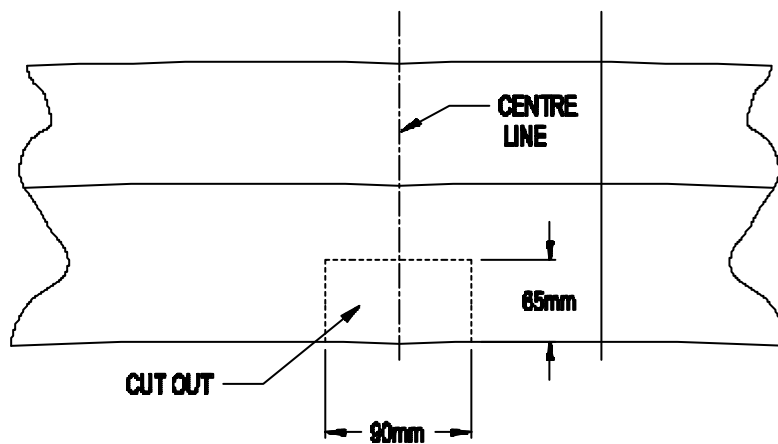
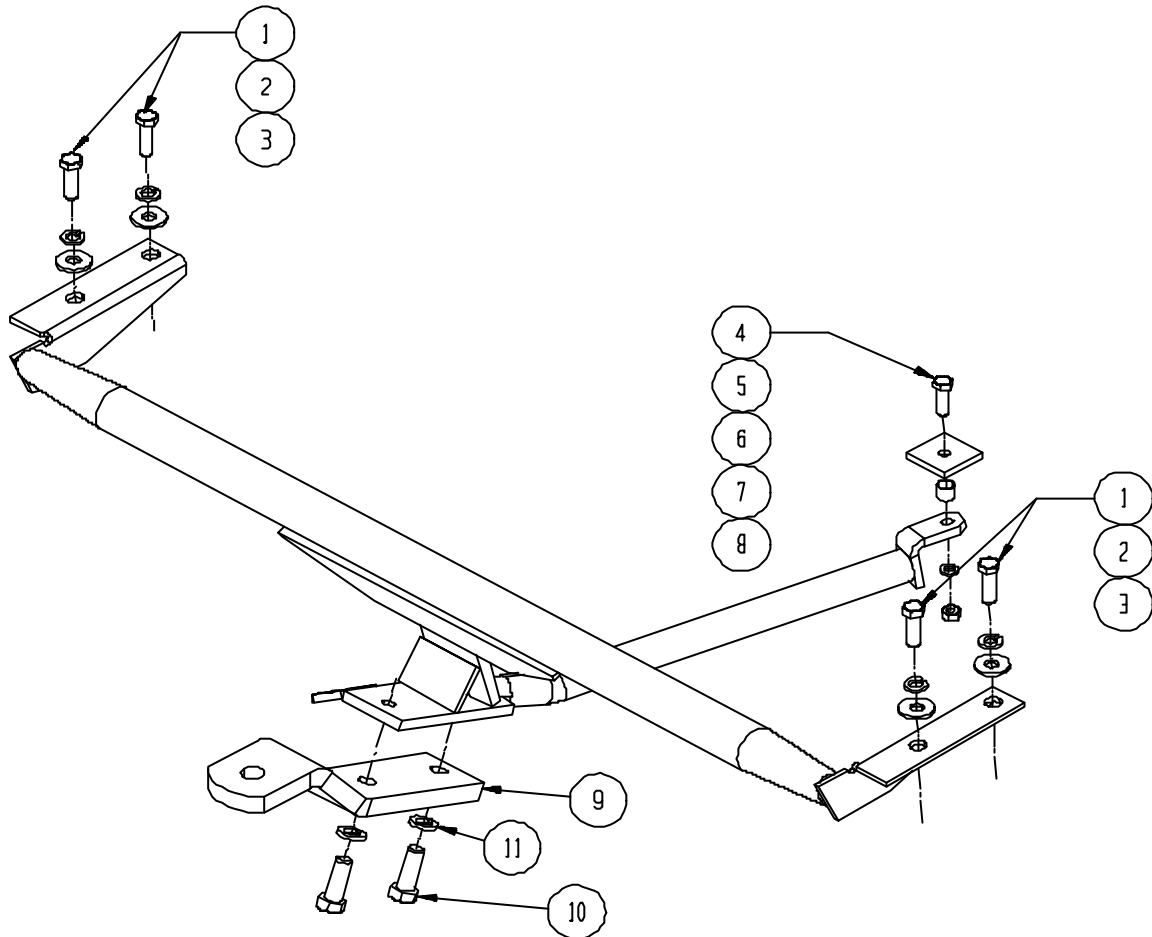
1. Remove spare wheel
2. Remove bumper bar
 - (a) Remove the jack from access panel on left hand side, then ease back side trims by removing three plastic rivets on each side.
 - (b) Remove the three bolts each side on bumper bar – two inside wheel arch and one about 100mm rearward of wheel arch on under side of vehicle.
 - (d) Lift up sound proofing inside boot to reveal the large grommets each side. Remove those grommets to reveal bumper bar dumb iron bolts. Unfasten dumb iron bolts and remove bumper bar.
3. Offer the towbar to the vehicle to check that the side arms fit into the chassis. It may be necessary to adjust them to achieve a good fit.
4. Cut bumper from centre of under side. (See diagram)
5. Offer towbar to bumper bar and align dumb iron fixing holes with towbar holes.
6. Offer towbar/bumper assembly to vehicle and secure dumb iron fixings with bolts provided (items 1,2 and 3). **Note:** - Bumper iron's bend on angle when bolted up in position, re-bend back straight.
7. Drill 10mm diameter hole through forward leg fixing (into spare wheel well). From inside the vehicle open up top of hole to accommodate spacer. (item 7) Secure using 3/8" x 1 3/4" unc bolt, spring washer, fitting plate, spacer and 3/8" nut. (Items 4,5,6,7, and 8)
8. Tighten all bolts to correct torque settings as listed below.
9. Refit remaining bumper bar fixings. Also replace trim panels and jack.
10. Replace spare wheel.

COMPONENT KIT

ITEM No.	DESCRIPTION	QTY	TORQUE Nm
1	M12 x 40 x 1.25 pitch bolt	4	77
2	M12 spring washer	4	
3	M12 Flat washer	4	
4	3\8" x 1 3\4" unc bolt	1	36.6
5	3\8" Spring washer	1	
6	Fitting Plate 50 x 6 x 65	1	
7	Spacer tube 16mm Long	1	
8	3\8" unc nut	1	
9	Tongue 24/20	1	
10	5\8" x 2" unc bolt	2*	249
11	5\8" Spring washer	2*	

Note: * One of each item 10 and 11 is used to secure the tongue to the towbar during transit.

Towbar Fitting Instructions
Subaru Liberty Sedan
Part Number SB25
Rating 1250Kg



BUMPER CUT FROM CENTRE OF UNDER SIDE