

# TRAILBOSS

## Towbar Fitting Instructions To Suit **MERCEDES X-CLASS CL4** Part Number **QTMB419L** Rating **3500/350 kg**

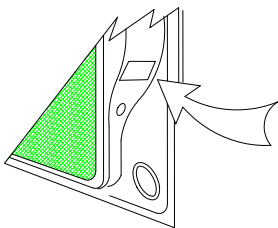
PLACE THESE INSTRUCTIONS IN THE VEHICLE'S GLOVEBOX AFTER INSTALLATION IS COMPLETED

### **WARNING:**

1. Do not, drill, cut, weld or otherwise modify the tow bar.
2. If you are using electric welding on a motor vehicle, **always** check that the vehicle is not equipped with electronic engine or instrument management equipment. Failure to do so could **destroy** any onboard computers. If in doubt, check with the vehicle's manufacturer.
3. The high tensile fasteners supplied with this product were used to achieve the specified rating. If replacement is required ensure that fasteners of the same rating & quality are used. Contact an authorised **Trailboss** dealer if further information is required.
4. If TBM is used in inverted position tow ball may make contact with rear tailgate when lowered, which could cause damage.

### **General:**

1. Ensure all hardware items have been included refer to assembly diagram.
2. It is recommended that the instructions are read through and completely understood before making any attempt to fit this product.
3. Be wary of any changes to vehicle designs or other accessories that may conflict with the installation of this product.
4. Before drilling ensure that the area is clear of fuel, electrical & other components.
5. All holes drilled into the body panels shall have all burrs & swarf removed then coated with a suitable rust preventative paint.
6. For vehicles that require the bumper to be cut. Ensure cut out area is in correct position on the vehicle prior to cutting the bumper.
7. The high tensile fasteners supplied with this product were used to achieve the specified rating. If replacement is required ensure that fasteners of the same rating & quality are used. Contact an authorized **Trailboss** dealer if further information is required.
8. Ensure that all hardware is fastened to torque list below check fasteners on regular basis.
9. Tow bar load rating sticker provided with this product shall be conspicuously located on inside rear end of the driver's door. **(See diagram below)**.
10. Trailboss recommends that you check your tow ball to ensure that it complies with the Australian standards **AS 4177.2**.
11. **PLEASE NOTE:** It is advised to remove your LUG or TBM when not actually towing so as to produce a clear view of the vehicles registration plate if obscured, and to also provide maximum available departure angle



Place load rating sticker  
inside driver's door here

**FOR TRAILER TOWING PURPOSES ONLY**  
For towing capacity details please refer to vehicle owner's manual or to the manufacturer. Overloading can void your warranties.

### **RECOMMENDED ASSEMBLY TORQUE LISTING**

<u>Diameter</u>	<u>Grade 8.8 Bolt</u>
M6	9.5 Nm
M8	21.7 Nm
M10	43.4 Nm
M12	77.3Nm
M14	146 Nm
M16	189.8 Nm

### **Tow bar Maintenance and Care.**

Trailboss recommends that bolt torque's, as listed below, are routinely and regularly inspected and checked for correct tension. Replace any worn or defective parts.

We recommended to remove Tow Ball Mounts (TBM's, tongues or lugs) when not being used for any considerable length of time.

So as to avoid injury, when not towing it is suggested that the tongue, Pull Pin and R-clip are removed then stored in a safe, clean and dry place, away from excessive moisture.

Hitch Pull Pins and spring "R" clips are regularly checked for proper installation. Replace any worn or defective parts.

### **Cequent Customer Service**

Ph: 1800 812 017 Fax: 03 9898 3299

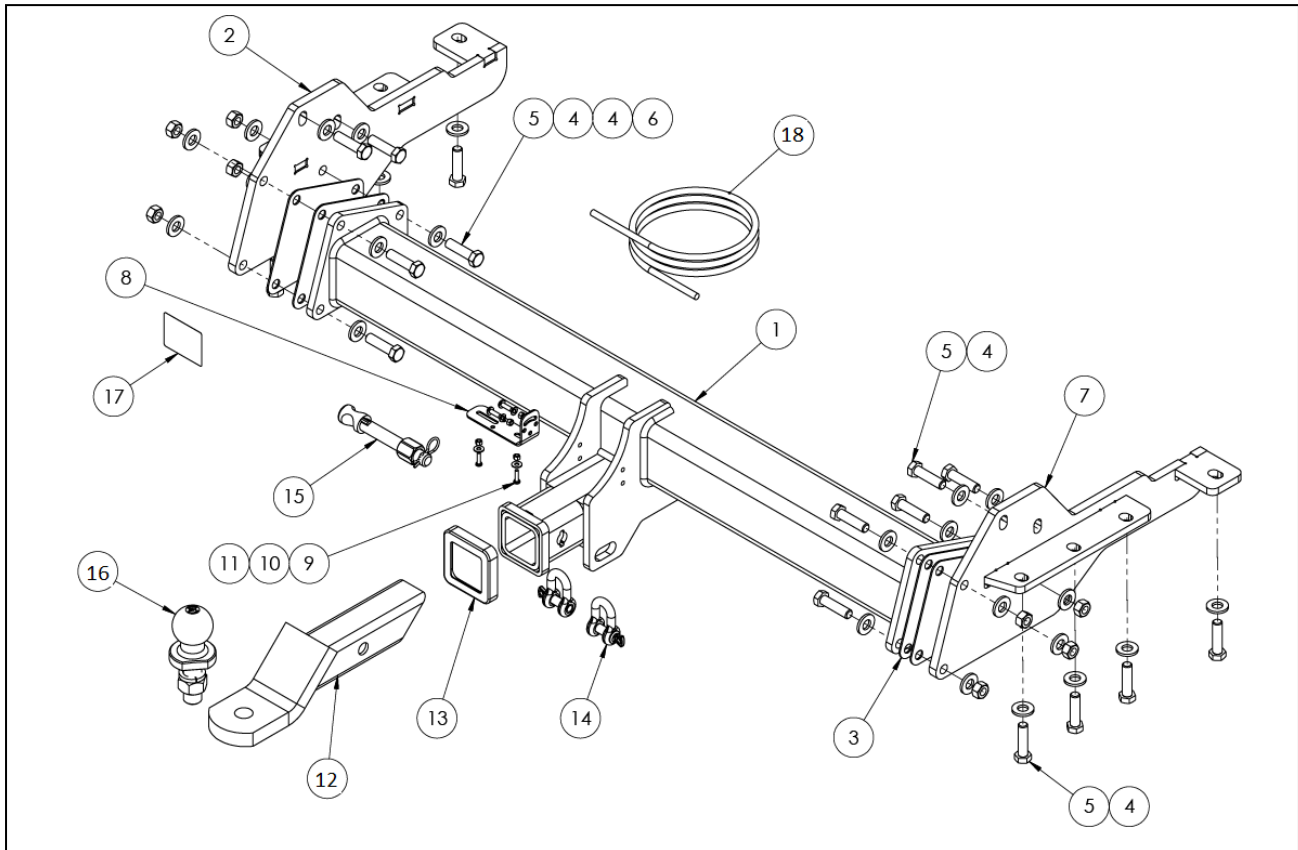
Email: [info@cequent.com.au](mailto:info@cequent.com.au)

Post: PO Box 4050, Dandenong South VIC 3175

# TRAILBOSS

Towbar Fitting Instructions  
 To Suit **MERCEDES X-CLASS CL4**  
 Part Number **QTMB419L**  
 Rating **3500/350 kg**

PLACE THESE INSTRUCTIONS IN THE VEHICLE'S GLOVEBOX AFTER INSTALLATION IS COMPLETED



ITEM	DESCRIPTION	QTY
1	X-CLASS WELDED ASSY	1
2	LH SIDE ARM ASSY	1
3	SHIM PLATE	4
4	WASHER PLAIN 1/2X1-1/8X16G	28
5	SET SCREW HEX HD M12 X 45 X 1.25P G10.9	20
6	NUT HEX HD M12 X 1.25P G8	8
7	RH SIDE ARM ASSY	1
8	UNIVERSAL PLUG BRACKET KIT	1
9	SCREW PAN HD M4 X 16 X 0.7P G4.6	2
10	WASHER PLAIN 3/16 X 1/2 X 20G	2
11	NUT NYLON LOCK HEX HD M4X0.7P G8	2
12	TOW BALL MOUNT	1

ITEM	DESCRIPTION	QTY
13	HITCH BOX COLLAR COVER	1
14	10mm "D" SHACKLE	2
15	SILENT HITCH PIN - SILVER	1
16	50mm TOWBALL	1
17	ACRYLIC COMPLIANCE LABEL	1
18	WIRING LOOM	1

**Cequent Customer Service**  
 Ph: 1800 812 017 Fax: 03 9898 3299  
 Email: [info@cequent.com.au](mailto:info@cequent.com.au)  
 Post: PO Box 4050, Dandenong South VIC 3175

# TRAILBOSS

Towbar Fitting Instructions  
To Suit **MERCEDES X-CLASS CL4**  
Part Number **QTMB419L**  
Rating **3500/350 kg**

PLACE THESE INSTRUCTIONS IN THE VEHICLE'S GLOVEBOX AFTER INSTALLATION IS COMPLETED

1. On LH chassis rail remove and discard the tow hook bracket secured with 5 x M12 bolts (3 x inside of chassis rail and 2 x bottom of chassis).



2. Loosely secure the side arm to chassis with 6 x M12 bolts complete with 1x washer per bolt.

Repeat for opposite side.



3. Align the crosstube to the side arms and secure with 8 x M12 bolts complete with 2 x washers and 1 x nut per bolt (4 per side).

**Torque all fasteners to 125Nm**



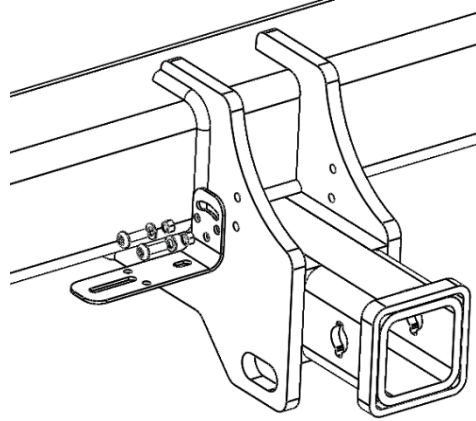
**Cequent Customer Service**  
Ph: 1800 812 017 Fax: 03 9898 3299  
Email: [info@cequent.com.au](mailto:info@cequent.com.au)  
Post: PO Box 4050, Dandenong South VIC 3175



Towbar Fitting Instructions  
To Suit **MERCEDES X-CLASS CL4**  
Part Number **QTMB419L**  
Rating **3500/350 kg**

PLACE THESE INSTRUCTIONS IN THE VEHICLE'S GLOVEBOX AFTER INSTALLATION IS COMPLETED

4. Secure plug bracket to the towbar with 2 x M5 setscrew complete with 1 x washer and 1 x nut per setscrew.



**Cequent Customer Service**  
Ph: 1800 812 017 Fax: 03 9898 3299  
Email: [info@cequent.com.au](mailto:info@cequent.com.au)  
Post: PO Box 4050, Dandenong South VIC 3175



Wiring Loom Fitting Instructions  
To Suit Mercedes Benz X Class  
Part Number 101995-WL

## Wiring Loom Installation Instructions

Mercedes Benz X Class

Part No: 101995-WL

ECU: WLT033

Tail Harness Length Required: 1200mm

RPA Disable Information: Near Headlight Switch

Electric Brake Input Location: Blue Wire near Blue Tail  
Connector

Wiring Loom Installation Time: Approx. 30 Mins



Wiring Loom Fitting Instructions  
To Suit Mercedes Benz X Class  
Part Number 101995-WL

1. Disconnect the negative battery terminal.
2. Under the rear of the car near the spare wheel, disconnect the grey 8-way connector.
3. Connect the T-patch on the harness (101995-WL) to the vehicle connectors disconnected in the previous step.
4. Route the harness under the vehicle towards the left hand tail lamp.
5. Connect the ECU connector on the harness to the ECU (04837).
6. Mount the ECU in a suitable location up high on the rear quarter panel.  
Note: Ensure ECU connector is facing down.
7. Route the harness along the LHS Chassis Rail towards the front of the vehicle following existing vehicle harness where possible.
8. Cable tie every 600mm.
9. Continue to route the harness towards the engine bay. Follow existing vehicle harnesses where possible.
10. Cable tie every 600mm.
11. Connect the red positive ring terminal to the vehicle battery positive.
12. Connect the black negative ring terminal to the vehicle battery negative.
13. Under the rear of the vehicle, secure tail harness socket to the towbar on the designated mounting holes.
14. Route tail harness up to trailer harness blue connector on the LHS. Cable tie as required.
15. Connect the tail harness 8-way connector to the trailer patch 8-way mating connector.
16. Apply silicone grease to waterproof the connector.
17. Test the trailer wiring harness function using a light board or multi-meter. Secure all harnesses using cable ties (not supplied).
18. Re-fit all removed parts and secure all fasteners, ensuring there are no squeaks or rattles.
19. Place the fitting instructions in the glove box after fitment.



# FITTING INSTRUCTIONS

## Silent Anti-Rattle Hitch Pin (PR0001)

• These fitting instructions are supplied to ensure understanding of how the HITCH PIN should be fitted and used correctly.

• Once installed, we recommend **ALL** instructions are kept and placed in the vehicle glove box.

**NOTE: Routine maintenance and inspection of the towbar & HITCH PIN is required. Regularly inspect for wear and check the tightness of the Hitch Pin. Follow instructions below to retighten the nut when necessary.**

**\*Do not tow with your vehicle if the R CLIP or the HITCH PIN is loose or missing. Replacement parts are available from your Pro Series Distributor.**

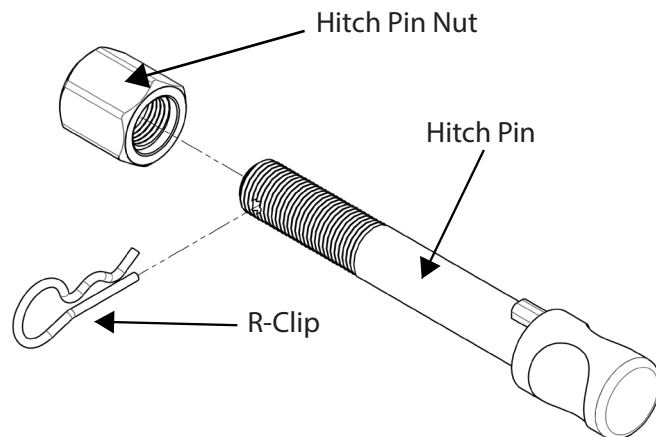


Fig 1. Silent Anti-Rattle Hitch Pin assembly

### STEP 1

Insert Trailer Ball Mount (TBM) into towbar HITCHBOX, aligning hole in TBM SHANK with hole in HITCHBOX (Fig 2).

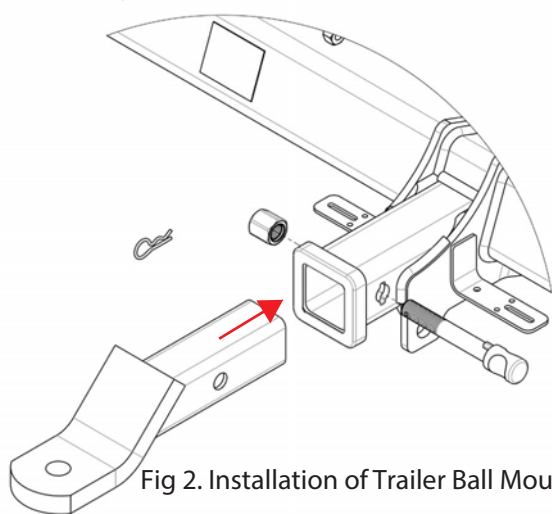


Fig 2. Installation of Trailer Ball Mount

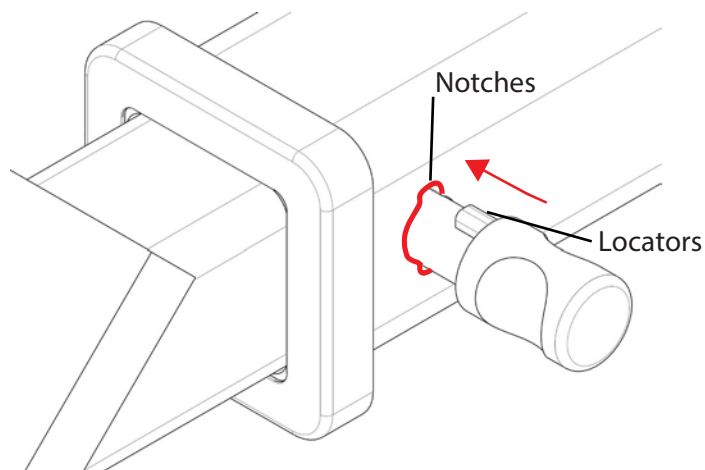


Fig 3. Silent Anti-Rattle Hitch Pin orientation

### STEP 2

Insert HITCH PIN through hole in HITCHBOX and hole in TBM SHANK; ensure the LOCATORS are inserted into the NOTCHES in the HITCHBOX (Fig. 3).

### STEP 3

Screw HITCH PIN NUT onto HITCH PIN ; tighten HITCH PIN NUT until finger tight, ensuring TBM is restrained from movement.

### STEP 4

Tighten HITCH PIN NUT by turning nut a further 1/8th of a turn in the clockwise direction using a 24mm spanner (Fig. 4).

### STEP 5

Install HITCH PIN R CLIP through the hole on the HITCH PIN (Fig. 1).

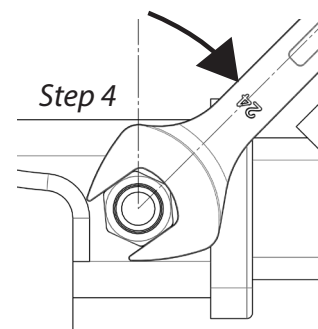


Fig 4. Tightening of Silent Anti-Rattle Hitch Pin Nut