

TRAILBOSS

Towbar Fitting Instructions
To Suit **JEEP RENEGADE BU SERIES**
Part Number **QTJP18L**
Rating **1200/120 kg**

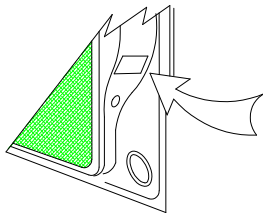
PLACE THESE INSTRUCTIONS IN THE VEHICLE'S GLOVEBOX AFTER INSTALLATION IS COMPLETED

WARNING:

1. Do not, drill, cut, weld or otherwise modify the tow bar.
2. If you are using electric welding on a motor vehicle, **always** check that the vehicle is not equipped with electronic engine or instrument management equipment. Failure to do so could **destroy** any onboard computers. If in doubt, check with the vehicle's manufacturer.
3. The high tensile fasteners supplied with this product were used to achieve the specified rating. If replacement is required ensure that fasteners of the same rating & quality are used. Contact an authorised **Trailboss** dealer if further information is required.
4. If TBM is used in inverted position tow ball may make contact with rear tailgate when lowered, which could cause damage.

General:

1. Ensure all hardware items have been included refer to assembly diagram.
2. It is recommended that the instructions are read through and completely understood before making any attempt to fit this product.
3. Be wary of any changes to vehicle designs or other accessories that may conflict with the installation of this product.
4. Before drilling ensure that the area is clear of fuel, electrical & other components.
5. All holes drilled into the body panels shall have all burrs & swarf removed then coated with a suitable rust preventative paint.
6. For vehicles that require the bumper to be cut. Ensure cut out area is in correct position on the vehicle prior to cutting the bumper.
7. The high tensile fasteners supplied with this product were used to achieve the specified rating. If replacement is required ensure that fasteners of the same rating & quality are used. Contact an authorized **Trailboss** dealer if further information is required.
8. Ensure that all hardware is fastened to torque list below check fasteners on regular basis.
9. Tow bar load rating sticker provided with this product shall be conspicuously located on inside rear end of the driver's door. **(See diagram below).**
10. Trailboss recommends that you check your tow ball to ensure that it complies with the Australian standards **AS 4177.2.**
11. **PLEASE NOTE:** It is advised to remove your lug or tbm when not actually towing so as to produce a clear view of the vehicles registration plate if obscured, and to also provide maximum available departure angle
12. Pull Pin must be fit in down position.



Place load rating sticker
inside driver's door here

FOR TRAILER TOWING PURPOSES ONLY
For towing capacity details please refer to vehicle owner's manual or to the manufacturer. Overloading can void your warranties.

Tow bar Maintenance and Care.

Trailboss recommends that bolt torque's, as listed below, are routinely and regularly inspected and checked for correct tension. Replace any worn or defective parts.

We recommended to remove Tow Ball Mounts (TBM's, tongues or lugs) when not being used for any considerable length of time.

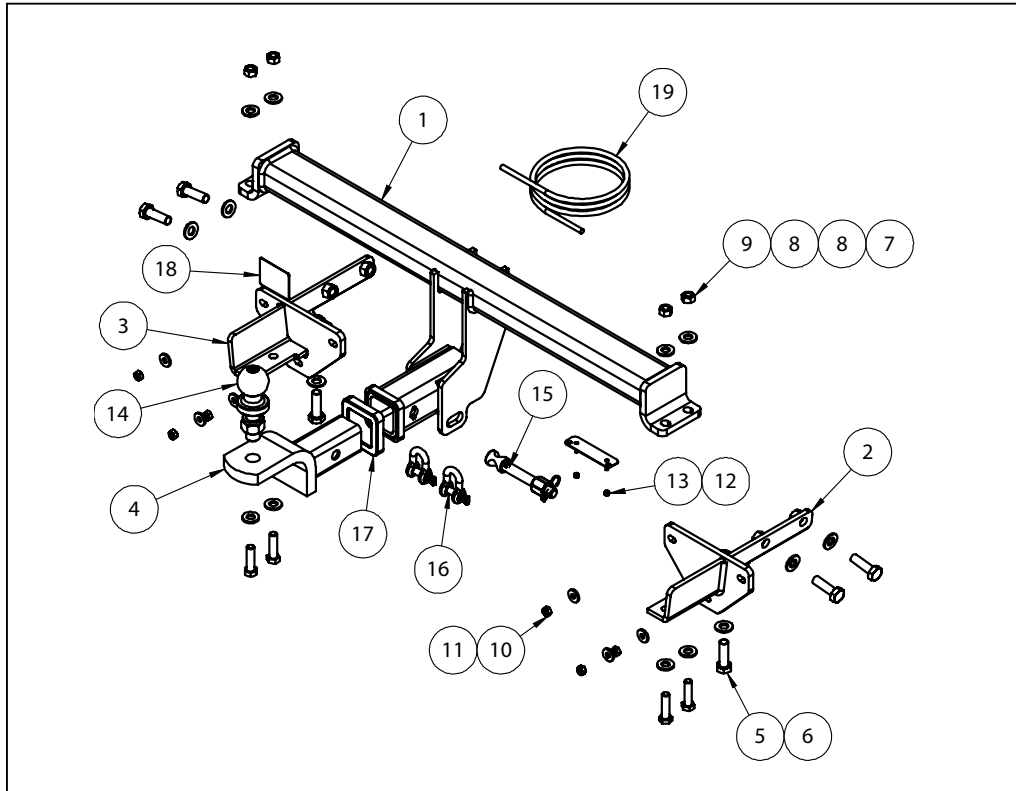
So as to avoid injury, when not towing it is suggested that the tongue, Pull Pin and R-clip are removed then stored in a safe, clean and dry place, away from excessive moisture.

Hitch Pull Pins and spring "R" clips are regularly checked for proper installation. Replace any worn or defective parts.

TRAILBOSS

Towbar Fitting Instructions
 To Suit **JEEP RENEGADE BU SERIES**
 Part Number **QTJP18L**
 Rating **1200/120 kg**

PLACE THESE INSTRUCTIONS IN THE VEHICLE'S GLOVEBOX AFTER INSTALLATION IS COMPLETED



| QTY. | DESCRIPTION | ITEM NO. |
|------|------------------------------|----------|
| 1 | WELDED TOWBAR ASSEMBLY | 1 |
| 1 | RHS SIDEARM BRACKET | 2 |
| 1 | LHS SIDEARM BRACKET | 3 |
| 1 | TBM 21126 | 4 |
| 6 | SET SCREW M14x45x2P G10.9 | 5 |
| 6 | FLAT WASHER M14x28x3 Z/P | 6 |
| 4 | SET SCREW M12x45x1.25P G10.9 | 7 |
| 8 | WASHER FLAT 1/2"x1 1/8"x1/8" | 8 |
| 4 | HEX NUT M12x1.25 PC8 | 9 |
| 6 | NUT M8-1.25 | 10 |
| 6 | FLAT WASHER M8x22x3.3MM | 11 |
| 1 | PLUG BRACKET | 12 |
| 2 | NUT NYLOC M4-0.7 Z/P | 13 |
| 1 | 50mm TOWBALL | 14 |
| 1 | SILENT HITCH PIN-SILVER | 15 |
| 2 | 10mm "D" SHACKLE | 16 |
| 1 | HITCH BOX COLLAR COVER | 17 |
| 1 | ACRYLIC ADR STICKER | 18 |
| 1 | WIRING LOOM | 19 |



Towbar Fitting Instructions
To Suit **JEEP RENEGADE BU SERIES**
Part Number **QTJP18L**
Rating **1200/120 kg**

PLACE THESE INSTRUCTIONS IN THE VEHICLE'S GLOVEBOX AFTER INSTALLATION IS COMPLETED

INSTRUCTION:

1. Remove 4 x Screws in tailgate cavity.
2. Remove panel from side wall of boot.
Repeat for opposite side of vehicle.
3. Remove spring loaded Screw securing Tail light assembly to vehicle chassis.
Repeat for opposite side of vehicle.
4. Remove and disconnect Tail light assembly.
Repeat for opposite side of vehicle.
5. Remove 3 x Screws from within rear wheel well.
Repeat for opposite side of vehicle.
6. Remove 2 x Screws from underside of bumper behind rear wheel arch.
Repeat for opposite side of vehicle.
7. Remove 2 x Screws from underside of vehicle at rear of bumper.
8. Carefully partially unclip a section of rear wheel arch trim covering rear bumper.
Repeat for opposite side of vehicle.
9. Remove Screw from under rear wheel arch trim, securing bumper to vehicle chassis.
Repeat for opposite side of vehicle.
10. Unclip and remove rear bumper
11. Remove and discard 6 x Flange Nuts (3 per side) securing rear impact beam to rear panel of vehicle.
Remove and discard rear impact beam.
12. Insert Sidearm bracket into chassis rail.
Repeat for opposite side of vehicle.
13. Loosely secure Sidearm bracket to side face of chassis rail using 2 x M14 Screws, complete with 1 x Flat washer per Screw.
Repeat for opposite side of vehicle.

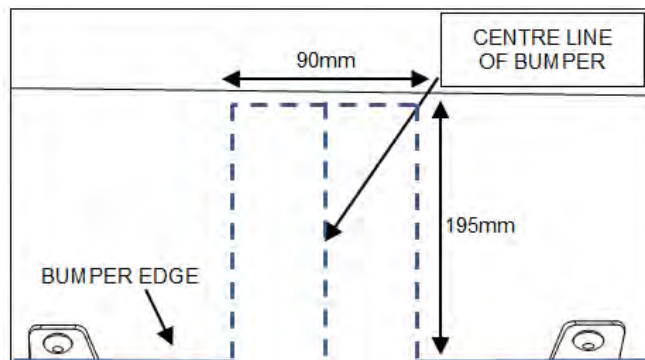


Towbar Fitting Instructions
To Suit **JEEP RENEGADE BU SERIES**
Part Number **QTJP18L**
Rating **1200/120 kg**

PLACE THESE INSTRUCTIONS IN THE VEHICLE'S GLOVEBOX AFTER INSTALLATION IS COMPLETED

14. Loosely secure sidearm bracket to underside of chassis rail using 1 x M14 Screw, complete with 1 x Flat washer.
Repeat for opposite side of vehicle.
15. Position welded Towbar assembly on top sidearm brackets.
16. Loosely secure sidearm brackets to studs in rear panel of vehicle using 6 x M8 Nuts (3 per side), complete with 1 x Flat washer per Nut.
17. Loosely secure welded towbar assembly to sidearm brackets using 2 x M12 Screws, complete with 2 x Flat washers and 1 x M12 Nut per Screw.
18. Tighten all fasteners to torques listed below:

M8: 22 N.m
M12: 125 N.m
M14: 175 N.m
19. Identify centreline of bumper and create cut 90mm wide x 195mm tall, as measured on the outside of the bumper.
20. **If installing wiring onto the vehicle with a compatible plug to the provided plug bracket:**
Mark out and drill 2x \varnothing 5mm holes 69mm apart on bumper skin to support the plug bracket. Feed bracket threads through drilled holes prior to reinstalling bumper.
21. Reinstall bumper following steps 1 to 10 in reverse order.





Wiring Loom Fitting Instructions
To Suit Jeep Renegade BU
Part Number 101400-WL

Wiring Loom Installation Instructions

Jeep Renegade BU
Part No: 101400-WL

Tail Harness Length Required: 1800mm
ECU Required: 04836
Power Harness supplied: 04825

Wiring Loom Installation Time: Approx 45 Mins

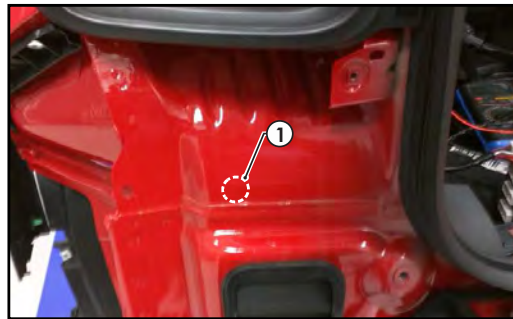


Important Due to possible vehicle variations, always confirm any noted vehicle colour wires with a multi-meter to ensure the correct function is identified before soldering or scotch locking. For vehicle wires denoted with two colours (example; RED/GREEN) the first colour will always be the main wire colour while the second colour is the thinner trace colour on the wire.

TRAILBOSS

Wiring Loom Fitting Instructions To Suit Jeep Renegade BU Part Number 101400-WL

1. Gain access to the rear luggage compartment area, fold down the rear seats and remove the floor carpet.
2. Remove the luggage compartment LHS and RHS access panels.
3. Remove the required fasteners to remove the rear trim tool tray and tools.
4. On the exterior LHS rear quarter, sheet metal area on top of the welding seam just above the rear facing vent, drill a 30mm hole (1) as indicated. Apply rust inhibitor after drilling (not supplied). **Take caution when drilling. This area has a double layer sheet metal skin. Ensure the interior area being drilled into is free of any obstructions before drilling.**



5. At the exterior LHS rear quarter area, dislodge the rubber grommet located near the vent.
6. Locate the trailer patch (P/No: 101400-WL) LHS branch and route to the interior LHS tail light harness connector and connect the trailer patch connectors in between.
7. In the LHS interior rear quarter well, secure the trailer patch ground ring terminal to the vehicle grounding point.
8. Route the REVERSE wire terminal out through the previously dislodged grommet hole.
9. At the LHS rear exterior following the table below, connect the ezy-tap to the corresponding vehicle wire, then connect the trailer patch terminal to the ezy-tap.

| Function | Trailer Patch | Vehicle Connector |
|----------|---------------|-------------------|
| REVERSE | BLACK / WHITE | GREY / GREEN |

10. At the LHS rear wheel arch area, connect the trailer patch connector to the ECU. Find a suitable location on the sheet metal to mount the ECU and then clean with an alcohol wipe.
11. Remove the backing from the back of the ECU and mount the ECU onto the mounting location. Ensure to mount the ECU with the connector pointing downwards.
12. Route the trailer patch RHS branch along the rear of the vehicle to the RHS tail light connector and connect the trailer patch connectors in between.



Wiring Loom Fitting Instructions
To Suit Jeep Renegade BU
Part Number 101400-WL

13. At the rear exterior of the vehicle, mount the tail harness socket to the towbar mounting bracket using M4 fasteners (not supplied).
14. Route the tail harness (tail length: 1800mm) across the LHS and up into the drilled out hole. Adjust the trailer patch harness grommet so that it is seated correctly and cable tie (not supplied) in place.
15. Connect the tail harness 8-way connector to the trailer patch 8-way mating connector.
16. Underneath the front of the vehicle, remove the splash guard by removing the required fasteners.
17. In the engine bay, route the power harness (P/No: 04825) from the vehicle battery area, and down to the LHS chassis rail. **Do not connect the power harness ring terminal to the battery at this point.**
18. Route the power harness underneath the vehicle following the LHS chassis rail, all the way to the rear of the vehicle. Keep the power harness clear of any sources of extreme heat, sharp objects or moving parts. Secure the harness with cable ties (not supplied) at 200mm intervals after routing.
19. Route the power harness underneath the vehicle following the LHS chassis rail. Keep the power harness clear of any sources of extreme heat, sharp objects or moving parts.
20. Pierce a hole into the previously dislodged grommet and route the power harness into the vehicle. Seal the grommet hole with silicone (not supplied) after routing.
21. Connect the power harness connector to the trailer patch mating connector.
22. In the engine bay, secure the power harness ring terminal to the positive battery terminal.
23. Test the Trailer Harness function using a light board or multi-meter.
24. Secure all harnesses using cable ties (not supplied).
25. Re-fit removed parts and secure all fasteners, ensuring there are no squeaks or rattles.
26. Place the instructions in the glove box after fitment.



FITTING INSTRUCTIONS

Silent Anti-Rattle Hitch Pin (PR0001)

• These fitting instructions are supplied to ensure understanding of how the HITCH PIN should be fitted and used correctly.

• Once installed, we recommend **ALL** instructions are kept and placed in the vehicle glove box.

NOTE: Routine maintenance and inspection of the towbar & HITCH PIN is required. Regularly inspect for wear and check the tightness of the Hitch Pin. Follow instructions below to retighten the nut when necessary.

***Do not tow with your vehicle if the R CLIP or the HITCH PIN is loose or missing. Replacement parts are available from your Pro Series Distributor.**

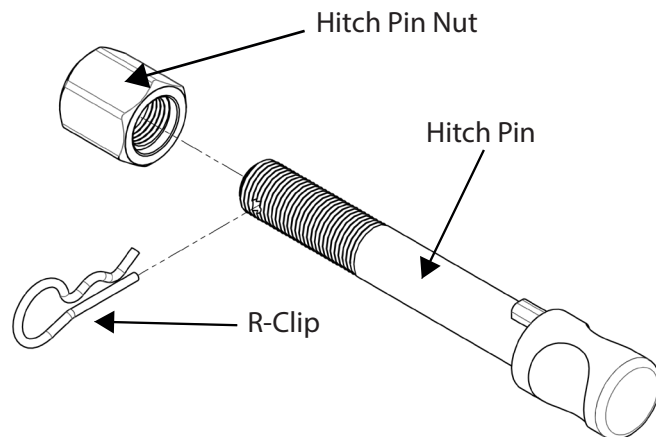


Fig 1. Silent Anti-Rattle Hitch Pin assembly

STEP 1

Insert Trailer Ball Mount (TBM) into towbar HITCHBOX, aligning hole in TBM SHANK with hole in HITCHBOX (Fig 2).

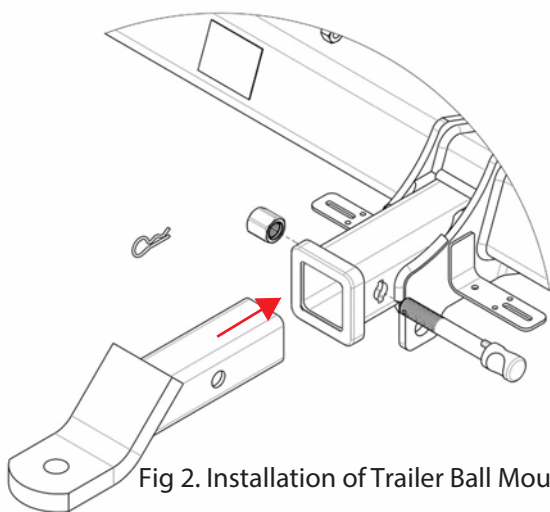


Fig 2. Installation of Trailer Ball Mount

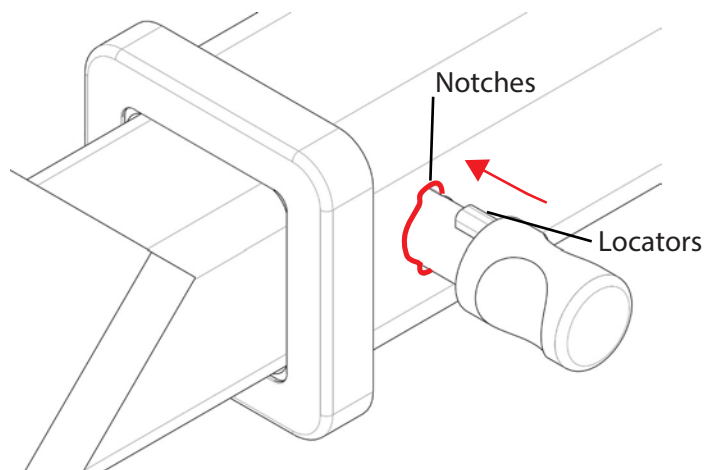


Fig 3. Silent Anti-Rattle Hitch Pin orientation

STEP 2

Insert HITCH PIN through hole in HITCHBOX and hole in TBM SHANK; ensure the LOCATORS are inserted into the NOTCHES in the HITCHBOX (Fig. 3).

STEP 3

Screw HITCH PIN NUT onto HITCH PIN ; tighten HITCH PIN NUT until finger tight, ensuring TBM is restrained from movement.

STEP 4

Tighten HITCH PIN NUT by turning nut a further 1/8th of a turn in the clockwise direction using a 24mm spanner (Fig. 4).

STEP 5

Install HITCH PIN R CLIP through the hole on the HITCH PIN (Fig. 1).

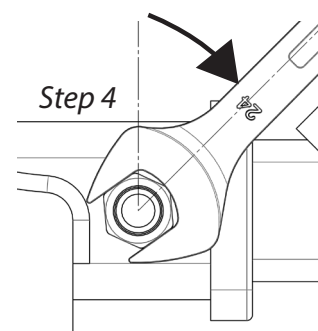


Fig 4. Tightening of Silent Anti-Rattle Hitch Pin Nut