

# TRAILBOSS

Towbar Fitting Instructions  
To Suit **NISSAN NAVARA NP300**  
Part Number **QTDS858L**  
Rating **3500/350 kg**

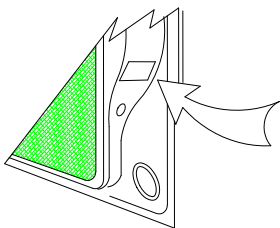
PLACE THESE INSTRUCTIONS IN THE VEHICLE'S GLOVEBOX AFTER INSTALLATION IS COMPLETED

## WARNING:

1. Do not, drill, cut, weld or otherwise modify the tow bar.
2. If you are using electric welding on a motor vehicle, **always** check that the vehicle is not equipped with electronic engine or instrument management equipment. Failure to do so could **destroy** any onboard computers. If in doubt, check with the vehicle's manufacturer.
3. The high tensile fasteners supplied with this product were used to achieve the specified rating. If replacement is required ensure that fasteners of the same rating & quality are used. Contact an authorised **Trailboss** dealer if further information is required.
4. If TBM is used in inverted position tow ball may make contact with rear tailgate when lowered, which could cause damage.

## General:

1. Ensure all hardware items have been included refer to assembly diagram.
2. It is recommended that the instructions are read through and completely understood before making any attempt to fit this product.
3. Be wary of any changes to vehicle designs or other accessories that may conflict with the installation of this product.
4. Before drilling ensure that the area is clear of fuel, electrical & other components.
5. All holes drilled into the body panels shall have all burrs & swarf removed then coated with a suitable rust preventative paint.
6. For vehicles that require the bumper to be cut. Ensure cut out area is in correct position on the vehicle prior to cutting the bumper.
7. The high tensile fasteners supplied with this product were used to achieve the specified rating. If replacement is required ensure that fasteners of the same rating & quality are used. Contact an authorized **Trailboss** dealer if further information is required.
8. Ensure that all hardware is fastened to torque list below check fasteners on regular basis.
9. Tow bar load rating sticker provided with this product shall be conspicuously located on inside rear end of the driver's door. **(See diagram below).**
10. Trailboss recommends that you check your tow ball to ensure that it complies with the Australian standards **AS 4177.2**.
11. **PLEASE NOTE:** It is advised to remove your lug or tbn when not actually towing so as to produce a clear view of the vehicles registration plate if obscured, and to also provide maximum available departure angle



Place load rating sticker  
inside driver's door here

**FOR TRAILER TOWING PURPOSES ONLY**  
For towing capacity details please refer to vehicle owner's manual or to the manufacturer. Overloading can void your warranties.

### RECOMMENDED ASSEMBLY TORQUE LISTING

Diameter	Grade 8.8 Bolt
M6	9.5 Nm
M8	21.7 Nm
M10	43.4 Nm
M12	89.0Nm
M14	146 Nm
M16	189.8 Nm

## Tow bar Maintenance and Care.

Trailboss recommends that bolt torque's, as listed below, are routinely and regularly inspected and checked for correct tension. Replace any worn or defective parts.

We recommended to remove Tow Ball Mounts (TBM's, tongues or lugs) when not being used for any considerable length of time.

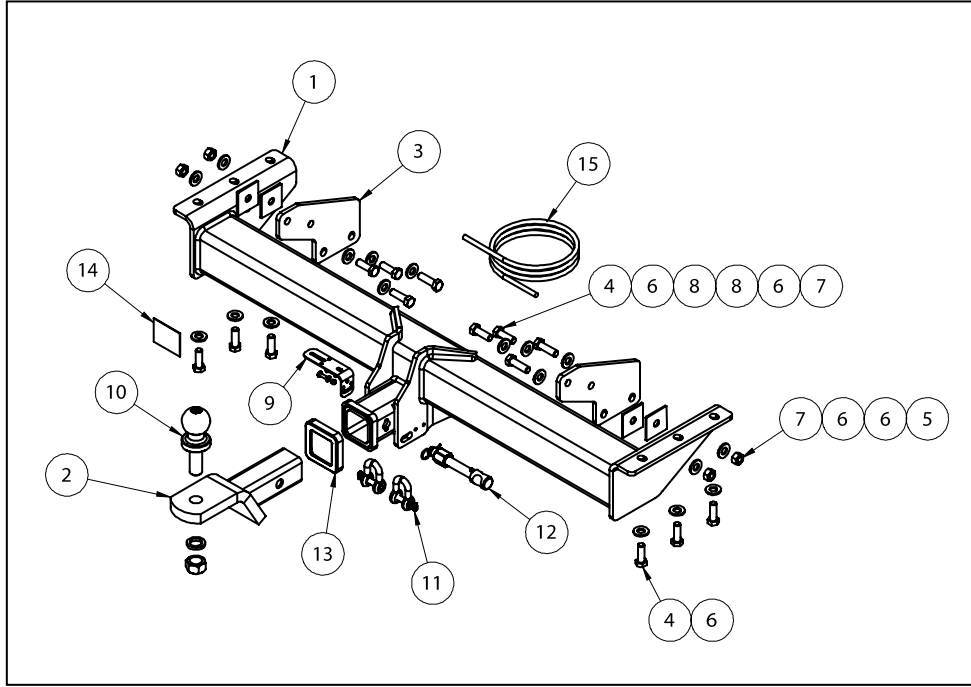
So as to avoid injury, when not towing it is suggested that the tongue, Pull Pin and R-clip are removed then stored in a safe, clean and dry place, away from excessive moisture.

Hitch Pull Pins and spring "R" clips are regularly checked for proper installation. Replace any worn or defective parts.

# TRAILBOSS

Towbar Fitting Instructions  
 To Suit **NISSAN NAVARA NP300**  
 Part Number **QTDS858L**  
 Rating **3500/350 kg**

PLACE THESE INSTRUCTIONS IN THE VEHICLE'S GLOVEBOX AFTER INSTALLATION IS COMPLETED



QTY.	DESCRIPTION	ITEM NO.
1	NISSAN NAVARA NP300 WELDED ASSY	1
1	CLASS 4 TBM ASSY	2
2	CHASSIS RAIL BRACKET	3
10	SET SCREW M12-1.25x35	4
4	BOLT M12-1.25x40	5
18	WASHER FLAT 1/2"x1 1/8"x1/8"	6
4	HEX NUT M12x1.25 PC8	7
4	LOOSE PLATE-COATED	8
1	UNIVERSAL PLUG BRACKET KIT	9
1	50mm TOWBALL	10
2	10mm "D" SHACKLE	11
1	SILENT HITCH PIN - SILVER	12
1	HITCH BOX COLLAR COVER	13
1	ACRYLIC CP	14
1	WIRING LOOM	15



Towbar Fitting Instructions  
To Suit **NISSAN NAVARA NP300**  
Part Number **QTDS858L**  
Rating **3500/350 kg**

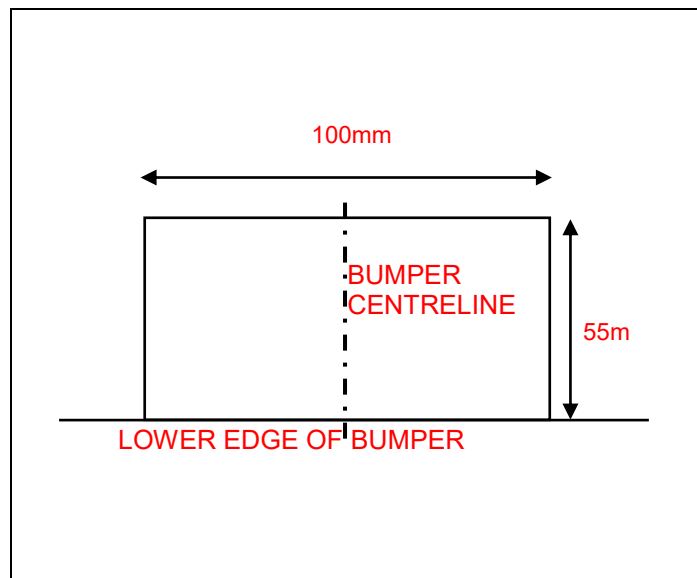
PLACE THESE INSTRUCTIONS IN THE VEHICLE'S GLOVEBOX AFTER INSTALLATION IS COMPLETED

**INSTRUCTION:**

1. Remove and discard 2x Bolts from lower side of Factory Tow Hook.
2. Remove and discard 3x Bolts from side of Factory Tow Hook. Remove and discard the Factory Tow Hook.
3. **FOR TUB VEHICLE ONLY** Disconnect wiring to Rear Step.
4. **FOR TUB VEHICLE ONLY** Remove and retain Rear Step by removing 6x Bolts (3 per side) securing step to Chassis Rail.
5. Offer Towbar to Vehicle and loosely secure Sidearms of Towbar to captive Nuts within Chassis Rail using 6x Set Screws (3 per Chassis Rail), complete with 1x Flat Washer per Set Screw.

NOTE: Spare wheel may need to be adjusted to provide clearance to Towbar.

6. Loosely secure Chassis Rail Bracket to inside of Chassis Rail using 2x Set Screws, complete with 1x Flat Washer and 1x Loose Plate per Set Screw. Repeat for opposite side of Vehicle.
7. Loosely secure Chassis Rail Bracket to Sidearm of Towbar using 2x Bolts, complete with 2x Flat Washers and 1x Nut per Bolt. Repeat for opposite side of Vehicle.
8. Tighten all fasteners to torque specified.
9. **FOR TUB VEHICLE ONLY** Identify centreline of Rear Step. Perform bumper cut 100mm wide & 55mm tall , starting at lower edge of bumper.
10. **FOR TUB VEHICLE ONLY** Reinstall Rear Step following steps 3 & 4 in reverse.



BUMPER CUT



Wiring Loom Fitting Instructions  
To Suit Nissan Navara NP300  
Part Number 101376-WL

**Wiring Loom Installation Instructions**

**Nissan Navara NP300  
Part No: 101376-WL**

**Tail Harness Length Required: 1200mm**

**Wiring Loom Installation Time: Approx 15 Mins**

## Wiring Loom Fitting Instructions To Suit Nissan Navara NP300 Part Number 101376-WL

1. At the engine bay LHS (passenger side) under the vehicle, use the supplied grounding strap (1) at the location next to the firewall as shown.



2. At the rear LHS of the vehicle underneath the tray, disconnect the tail light connectors and patch the trailer patch harness (P/No: 101376-WL) connectors in between.
3. Using a tek screw (not supplied), secure the trailer patch ground ring terminal to a suitable nearby location on the vehicle LHS frame rail. **NOTE: DO NOT ground onto the tub body! DO NOT use existing vehicle ground!**
4. Secure the tail harness trailer socket (1200mm) to the towbar mounting plate using M4 fasteners (not supplied).
5. Route the tail harness along the towbar, towards the trailer patch harness.
6. Connect the tail harness 8-way connector to the trailer patch 8-way mating connector.
7. Waterproof the trailer patch 8-way connector and the tail harness 8-way male connector using silicone or grease (not supplied).
8. Secure all harnesses to the vehicle using cable ties.
9. Test the Trailer Harness function using trailer light board or multi-meter.
10. Re-fit all removed parts and secure all fasteners.
11. Please place the fitting instructions in the glove box after installation.



# FITTING INSTRUCTIONS

## Silent Anti-Rattle Hitch Pin (PR0001)

• These fitting instructions are supplied to ensure understanding of how the HITCH PIN should be fitted and used correctly.

• Once installed, we recommend **ALL** instructions are kept and placed in the vehicle glove box.

**NOTE: Routine maintenance and inspection of the towbar & HITCH PIN is required. Regularly inspect for wear and check the tightness of the Hitch Pin. Follow instructions below to retighten the nut when necessary.**

**\*Do not tow with your vehicle if the R CLIP or the HITCH PIN is loose or missing. Replacement parts are available from your Pro Series Distributor.**

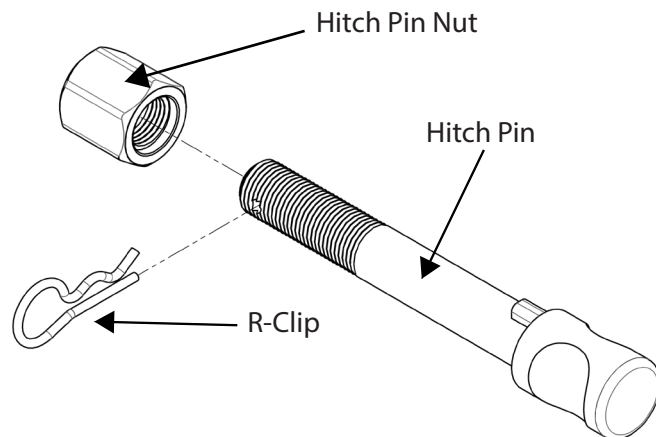


Fig 1. Silent Anti-Rattle Hitch Pin assembly

### STEP 1

Insert Trailer Ball Mount (TBM) into towbar HITCHBOX, aligning hole in TBM SHANK with hole in HITCHBOX (Fig 2).

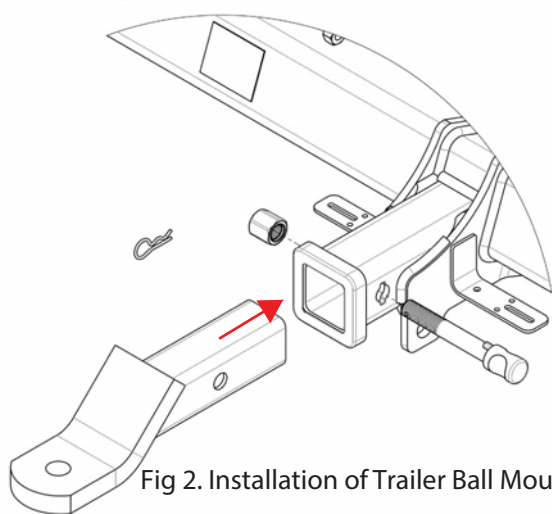


Fig 2. Installation of Trailer Ball Mount

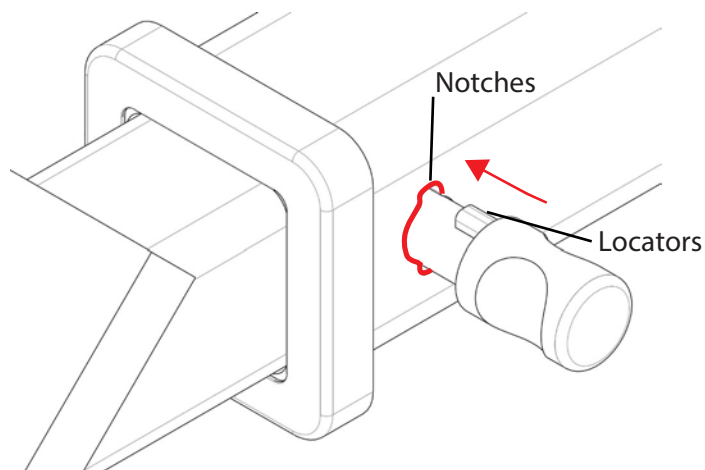


Fig 3. Silent Anti-Rattle Hitch Pin orientation

### STEP 2

Insert HITCH PIN through hole in HITCHBOX and hole in TBM SHANK; ensure the LOCATORS are inserted into the NOTCHES in the HITCHBOX (Fig. 3).

### STEP 3

Screw HITCH PIN NUT onto HITCH PIN ; tighten HITCH PIN NUT until finger tight, ensuring TBM is restrained from movement.

### STEP 4

Tighten HITCH PIN NUT by turning nut a further 1/8th of a turn in the clockwise direction using a 24mm spanner (Fig. 4).

### STEP 5

Install HITCH PIN R CLIP through the hole on the HITCH PIN (Fig. 1).

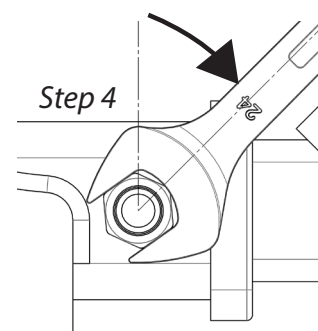


Fig 4. Tightening of Silent Anti-Rattle Hitch Pin Nut