



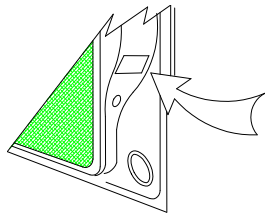
Towbar Fitting Instructions
 HOLDEN CRUZE SEDAN 06-2009 On & HATCH 11-2011 on
 Part Number HD91L
 Rating 1200 kg

WARNING:

1. Do not, drill, cut, weld or otherwise modify the tow bar.
2. If you are using electric welding on a motor vehicle, **always** check that the vehicle is not equipped with electronic engine or instrument management equipment. Failure to do so could **destroy** any onboard computers. If in doubt, check with the vehicle's manufacturer.

General:

1. Ensure all hardware items have been included refer to assembly diagram.
2. It is recommended that the instructions are read through and completely understood before making any attempt to fit this product.
3. Be wary of any changes to vehicle designs or other accessories that may conflict with the installation of this product.
4. Before drilling ensure that the area is clear of fuel, electrical & other components.
5. All holes drilled into the body panels shall have all burrs & swarf removed then coated with a suitable rust preventative paint.
6. For vehicles that require the bumper to be cut. Ensure cut out area is in correct position on the vehicle prior to cutting the bumper.
7. The high tensile fasteners supplied with this product were used to achieve the specified rating. If replacement is required ensure that fasteners of the same rating & quality are used. Contact an authorized **Trailboss** dealer if further information is required.
8. Ensure that all hardware is fastened to torque list below check fasteners on regular basis.
9. Tow bar load rating sticker provided with this product shall be conspicuously located on inside rear end of the driver's door. **(See diagram below).**
10. Trailboss recommends that you check your tow ball to ensure that it complies with the Australian standards **AS 4177.2.**
11. **PLEASE NOTE:** It is advised to remove your lug or tbm when not actually towing so as to produce a clear view of the vehicles registration plate if obscured, and to also provide maximum available departure angle



Place load rating sticker inside driver's door here

FOR TOWING PURPOSES ONLY
 For towing capacity details please refer to vehicle owner's manual or to the manufacturer. Overloading can void your warranties.

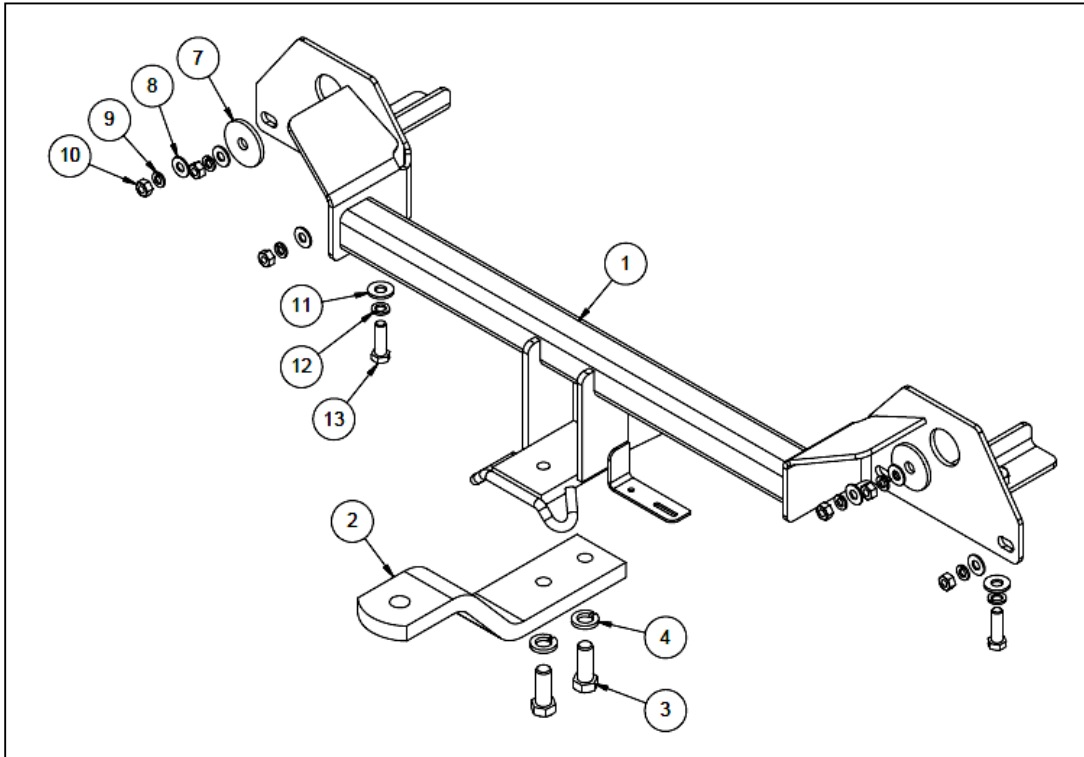
RECOMMENDED ASSEMBLY TORQUE LISTING
Diameter Grade 8.8 Bolt

M6	9.5 Nm
M8	21.7 Nm
M10	43.4 Nm
M12	77.3Nm
M14	146 Nm
M16	189.8 Nm

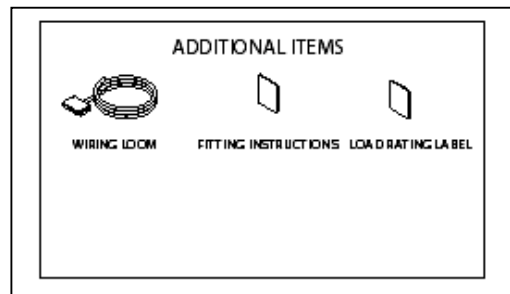
Tow bar Maintenance and Care.

Trailboss recommends that bolt torque's, as listed below, are routinely and regularly inspected and checked for correct tension. Replace any worn or defective parts.
 We recommended to remove Tow Ball Mounts (TBM's, tongues or lugs) when not being used for any considerable length of time.
 So as to avoid injury, when not towing it is suggested that the tongue, Pull Pin and R-clip are removed then stored in a safe, clean and dry place, away from excessive moisture.
 Hitch Pull Pins and spring "R" clips are regularly checked for proper installation. Replace any worn or defective parts.

Towbar Fitting Instructions
 HOLDEN CRUZE SEDAN 06-2009 On & HATCH 11-2011 on
 Part Number HD91L
 Rating 1200 kg



QTY.	DESCRIPTION	ITEM NO.
1	WELDED ASSEMBLY HOLDEN CRUZE	1
1	LUG ONLY	2
2	M16 x 45 2.0P BOLT	3
2	M16 X 5 X 3.5 SPRING WASHER	4
1	BOLT PACK ASSY	5
1	Plastic Sheet Bag	6
2	SPACER PLATE	7
6	Washer Flat M10 x 23 x 2 z/p	8
6	M10 X 3.5 X 2.2 SPRING WSHR	9
6	HEX NUT M10x1.5	10
2	WASHER M12x28.8x3mm	11
2	Wshr spring ft sec M12x4.0x2.5mm z/p	12
2	BOLT M12-1.75x40 GR8.8	13





Towbar Fitting Instructions
HOLDEN CRUZE SEDAN 06-2009 On & HATCH 11-2011 on
Part Number HD91L
Rating 1200 kg


STEPS TO FIT TOWBAR

SEDAN & HATCH :

1. Remove the Rear Bumper from the vehicle via the following steps:

(a) Remove screws x 3 from the wheel arch.

Note: Repeat the step for passenger side.

 Position the vehicle on to a safe working height on the hoist before commencing fitment.

HATCH :

Remove tail light assemblies

Remove screw from tail light cavity

Dis-connect number plate light plug

SEDAN & HATCH :

(b) Remove scrivenets x 2 from the bottom side of the bumper.

Note: Repeat the step for passenger side.

(c) Flex the bumper out from the sides and pull rearward.

2. Remove the Impact Beam from the back panel, removing M10 nuts x 3 from each side.

3. Locate the towbar into the chassis rail. On the back panel, fasten with M10 nut x 3, spring washers x 3 and flat washers x 3, (use the spacer plate for the uppermost hole).

4. Insert and fasten M12 bolt, spring washer and flat washers.

5. Tighten and torque all bolts up to the torque requirement as mentioned on page 1.

6. Cut the bumper as illustrated in Figure 2 for SEDAN and Figure 3 for HATCH..

Towbar Fitting Instructions
HOLDEN CRUZE SEDAN 06-2009 On & HATCH 11-2011 on
Part Number HD91L
Rating 1200 kg

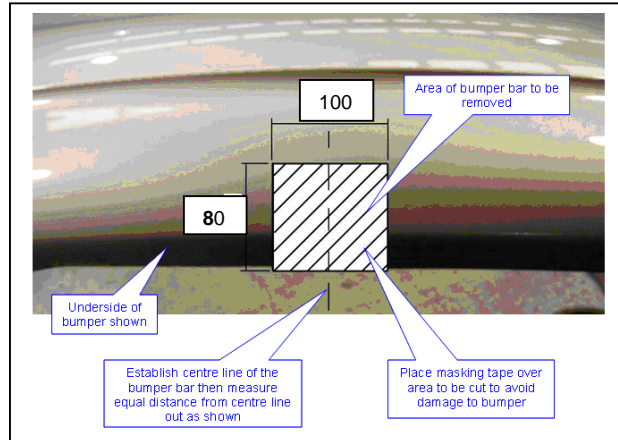


Figure 6 – Bumper Cut out Diagram. - SEDAN

SEDAN Bumper - cut

1. Cut the bumper, 80mm in height and 100mm in width, as illustrated in Figure 6.
2. Refit the bumper in the reverse order.
3. Affix the load rating label as mentioned on page 2.

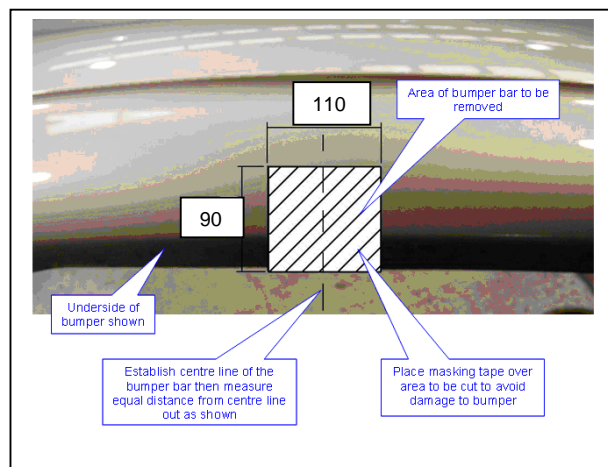


Figure 7 – Bumper Cut out Diagram. - HATCH

HATCH Bumper - Cut

4. Cut the bumper, 90mm in height and 110mm in width, as illustrated in Figure 7.
5. Refit the bumper in the reverse order.
6. Affix the load rating label as mentioned on page 2.



Wiring Loom Fitting Instructions
To Suit Holden Cruze Hatch
(11/2011 – Onwards)
Part Number 100755-WL

Wiring Loom Installation Instructions

Holden Cruze Hatch
(11/2011 – Onwards)
Part No: 100755-WL

Tail Harness Length Required: 1200mm
ECU Required Part No: 04826

**Note: If factory OEM RPA is fitted, the Trouble Code will be
logged if disabled.**

Wiring Loom Installation Time: Approx 45 Mins



Wiring Loom Fitting Instructions
To Suit Holden Cruze Hatch
(11/2011 – Onwards)
Part Number 100755-WL

1. On the rear of the luggage compartment, remove the parcel shelf.
2. Remove the floor carpet cover.
3. Remove both the LHS and RHS tool trays by first removing the four 10mm bolts.
4. On both the LHS and RHS of the luggage compartment, remove the two cargo hooks.
5. Remove the rear luggage compartment trim by first removing the two cargo hooks.
6. On the RHS of the luggage compartment, remove the two cargo hooks.

Repeat for the LHS.

7. On the upper LHS of the luggage compartment, dislodge the 'C' pillar trim.
8. Carefully remove the air bag clip from the 'C' pillar trim by sliding it towards the front of the vehicle.
9. Remove the 'C' pillar trim.

Repeat for the RHS.

10. On the rear passenger's side, fold down the seats.
11. Remove the LHS rear passenger sill trim and dislodge the 'B' pillar trim lower section.

Repeat for the RHS.

12. On the rear of the luggage compartment, dislodge the LHS luggage compartment trim.

Repeat for the RHS.

Note: When dislodging RHS luggage compartment trim, ensure to disconnect the connector.

13. Remove the LHS front passenger sill trim.
14. Underneath the passenger's lower dash, remove the fuse panel cover, located inside the glove box compartment.
15. At the rear of the vehicle on the RHS, remove the grommet seal and using a step drill, drill out the grommet hole to Ø30mm.
16. File down any rough edges and spray with rust inhibitor.
17. On the LHS of the luggage compartment, disconnect the 8-way tail light connectors.



Wiring Loom Fitting Instructions
To Suit Holden Cruze Hatch
(11/2011 – Onwards)
Part Number 100755-WL

18. Connect the Trailer Patch Harness (P/No: 100755-WL) 8-way connectors in between the tail light connectors.
19. Following the table below, connect the ezy-tap to the vehicle 'GREEN/WHITE' reverse wire, then connect the trailer patch terminal to the ezy-tap.

Function	Trailer Patch	Vehicle Connector
REVERSE	BLACK / WHITE	GREEN / WHITE

20. Apply double sided tape to the ECU and adhere it to the vehicle sheet metal on the LHS of the luggage compartment.
21. Connect the trailer patch 12-way connector to the ECU.
22. Connect the Trailer Patch ground ring terminal to the vehicle grounding point.
23. Route the trailer patch harness towards the RHS of the luggage compartment.
24. On the LHS of the luggage compartment, disconnect the tail light connectors above the wheel arch.
25. Patch the trailer patch harness connectors in between the tail light.
26. From the LHS of the rear luggage compartment, route the 'ORANGE' power wire along the passenger's door sill towards the front of the vehicle.
27. Continue routing the 'ORANGE' power wire on the LHS past the passenger's door sill trim, towards the glove box compartment.
28. Inside the fuse panel, locate the 20-amp fuse and remove.
29. Insert the previously removed 20-amp fuse into the lower slot of the add-a-fuse.
30. Plug the add-a-fuse into the now vacant slot.
31. Connect the power patch 1-way connector into the add-a-fuse harness mating connector.
32. Mount the trailer socket to the tow bar mounting bracket using M4 fasteners (not supplied).
33. Route the tail harness across the tow bar towards the previously drilled out hole.
34. Ensure the tail harness grommet is seated correctly and secure in place using a cable tie (not supplied).
35. Connect the tail harness (tail length 1200mm) 8-way connector to the trailer patch mating 8-way connector.



Wiring Loom Fitting Instructions
To Suit Holden Cruze Hatch
(11/2011 – Onwards)
Part Number 100755-WL

36. Test the trailer patch function using a light board or multi meter.
37. Secure all harnesses using cable ties (not supplied).
38. Re-fit all removed parts and secure all fasteners, ensuring there are no squeaks or rattles.
39. Place the fitting instructions in the glove box after fitment.