



Towbar Fitting Instructions  
To Suit HOLDEN BARINA 5/94-ON  
Part Number HD54  
Rating 1000Kg

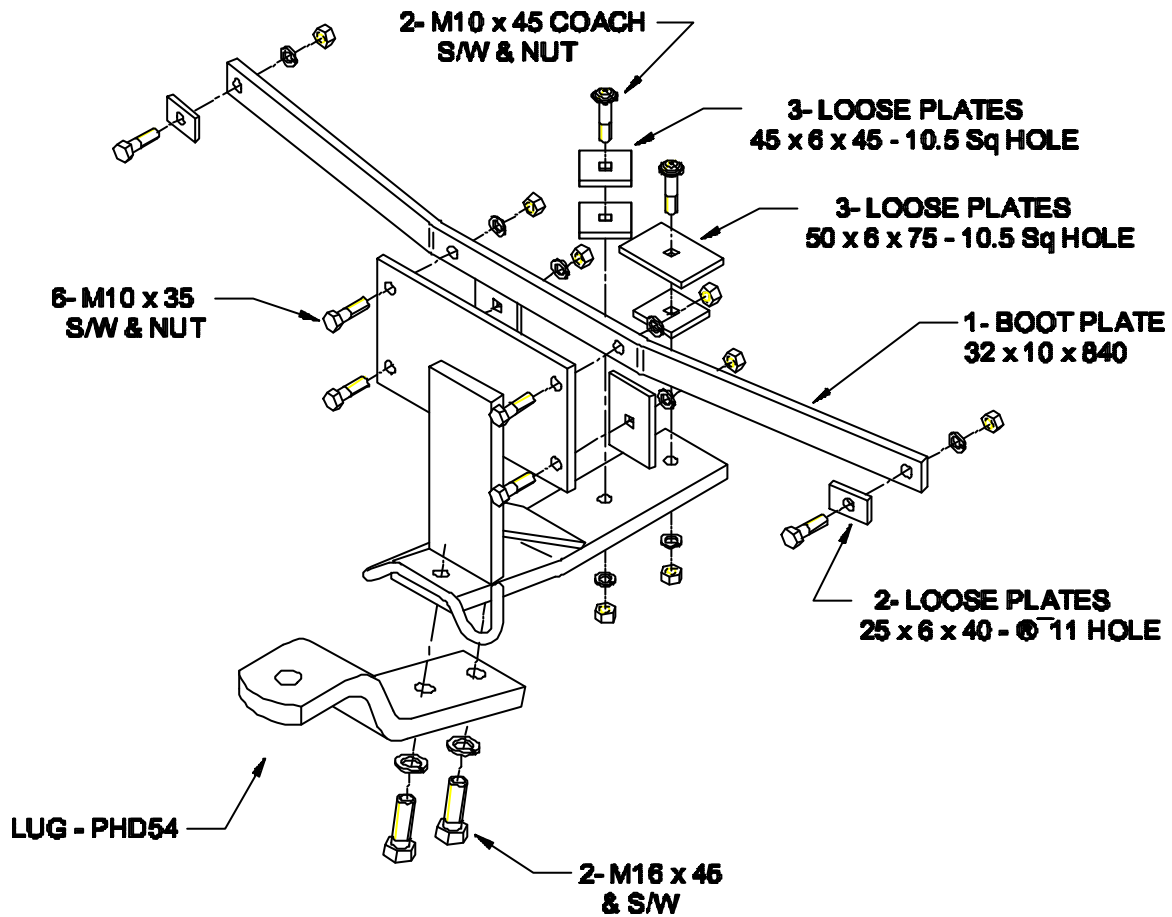
1. Ensure all hardware items have been included.
2. Remove rear bumper bar and cut as per diagram.
3. Remove metal impact frame.
4. Remove spare wheel.
5. Using four centre pop marks located in middle of rear panel, (flat section). Drill four 11mm holes.
6. Lift towbar into position and position and fit bolts and plates supplied as per diagram.
7. Fit support brace inside boot to align with top holes in towbar and secure with bolts as shown in diagram.
8. Drill two remaining holes in support brace from inside boot, 11mm and fit bolts and plates as per diagram.
9. Using two holes in tail of towbar as guides drill into spare wheel well, 11mm.
10. Position two spacer plates between tail and spare wheel well.
11. Fit loose plates and bolts as per diagram. **NOTE: Remove any body deadener from under loose plates.**
12. Tighten all bolts to torque listing below.
13. Refit metal impact frame, bumper bar and spare wheel.

**RECOMMENDED ASSEMBLY TORQUE LISTING**

<u>Diameter</u>	<u>Grade 8.8 Bolt</u>
	<u>Nm</u>
M6	9.5
M8	21.7
M10	43.4
M12	77.3
M14	121.0
M16	189.8

# TRAILBOSS

Towbar Fitting Instructions  
To Suit HOLDEN BARINA 5/94-ON  
Part Number HD54  
Rating 1000Kg





Towbar Fitting Instructions  
To Suit HOLDEN BARINA 5/94-ON  
Part Number HD54  
Rating 1000Kg

HD54 - HOLDEN BARINA 5/'94 ON

