

TRAILBOSS

Towbar Fitting Instructions To Suit **FORD MONDEO WAGON 2009 on** Part Number **FD130L** Rating **1200/120 kg**

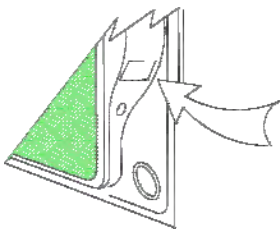
PLACE THESE INSTRUCTIONS IN THE VEHICLE'S GLOVEBOX AFTER INSTALLATION IS COMPLETED

WARNING:

1. Do not, drill, cut, weld or otherwise modify the tow bar.
2. If you are using electric welding on a motor vehicle, **always** check that the vehicle is not equipped with electronic engine or instrument management equipment. Failure to do so could **destroy** any onboard computers. If in doubt, check with the vehicle's manufacturer.
3. The high tensile fasteners supplied with this product were used to achieve the specified rating. If replacement is required ensure that fasteners of the same rating & quality are used. Contact an authorised **Trailboss** dealer if further information is required.
4. If TBM is used in inverted position tow ball may make contact with rear tailgate when lowered, which could cause damage.

General:

1. Ensure all hardware items have been included refer to assembly diagram.
2. It is recommended that the instructions are read through and completely understood before making any attempt to fit this product.
3. Be wary of any changes to vehicle designs or other accessories that may conflict with the installation of this product.
4. Before drilling ensure that the area is clear of fuel, electrical & other components.
5. All holes drilled into the body panels shall have all burrs & swarf removed then coated with a suitable rust preventative paint.
6. For vehicles that require the bumper to be cut. Ensure cut out area is in correct position on the vehicle prior to cutting the bumper.
7. The high tensile fasteners supplied with this product were used to achieve the specified rating. If replacement is required ensure that fasteners of the same rating & quality are used. Contact an authorized **Trailboss** dealer if further information is required.
8. Ensure that all hardware is fastened to torque list below check fasteners on regular basis.
9. Tow bar load rating sticker provided with this product shall be conspicuously located on inside rear end of the driver's door. **(See diagram below).**
10. Trailboss recommends that you check your tow ball to ensure that it complies with the Australian standards **AS 4177.2**.
11. **PLEASE NOTE:** It is advised to remove your lug or tbn when not actually towing so as to produce a clear view of the vehicles registration plate if obscured, and to also provide maximum available departure angle
12. Pull Pin must be fit in down position.



Place load rating sticker
inside driver's door here

FOR TRAILER TOWING PURPOSES ONLY
For towing capacity details please refer to vehicle owner's manual or to the manufacturer. Overloading can void your warranties.

RECOMMENDED ASSEMBLY TORQUE LISTING

<u>Diameter</u>	<u>Grade 8.8 Bolt</u>
M6	9.5 Nm
M8	21.7 Nm
M10	43.4 Nm
M12	77.3Nm
M14	146 Nm
M16	189.8 Nm

Tow bar Maintenance and Care.

Trailboss recommends that bolt torque's, as listed below, are routinely and regularly inspected and checked for correct tension. Replace any worn or defective parts.

We recommended to remove Tow Ball Mounts (TBM's, tongues or lugs) when not being used for any considerable length of time.

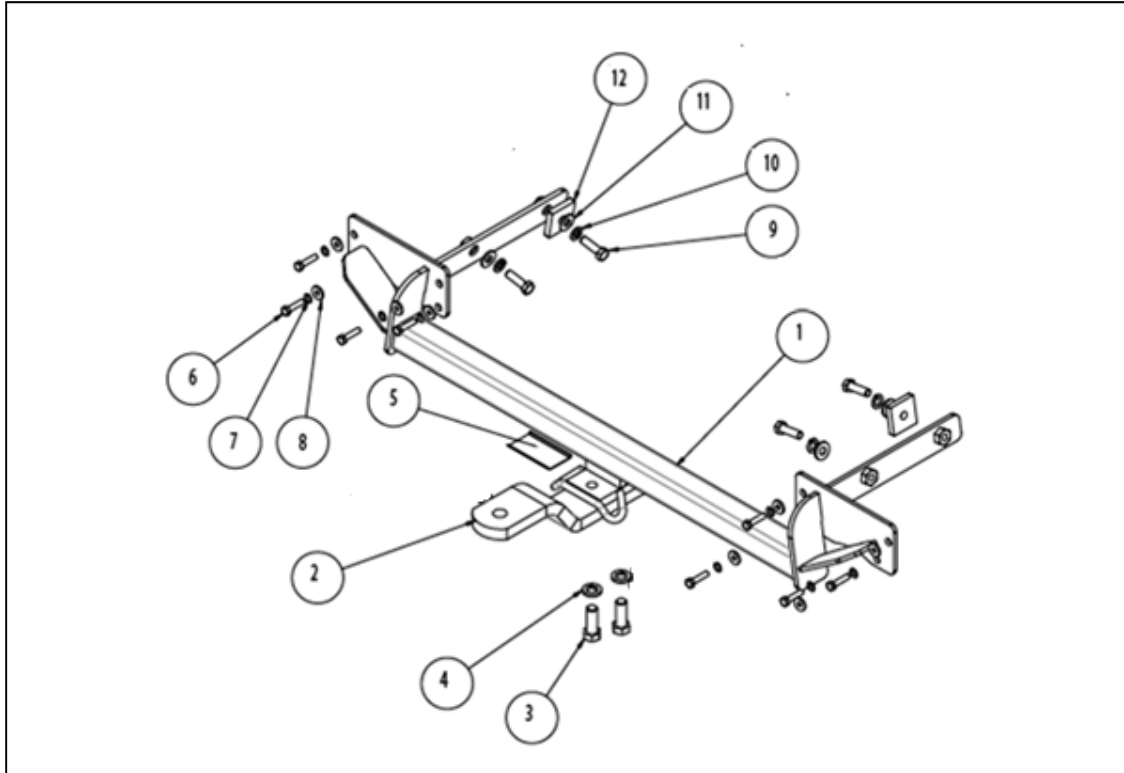
So as to avoid injury, when not towing it is suggested that the tongue, Pull Pin and R-clip are removed then stored in a safe, clean and dry place, away from excessive moisture.

Hitch Pull Pins and spring "R" clips are regularly checked for proper installation. Replace any worn or defective parts.

TRAILBOSS


Towbar Fitting Instructions
 To Suit **FORD MONDEO WAGON 2009 on**
 Part Number **FD130L**
 Rating **1200/120 kg**

PLACE THESE INSTRUCTIONS IN THE VEHICLE'S GLOVEBOX AFTER INSTALLATION IS COMPLETED




QTY	DESCRIPTION	ITEM NO
1	WELDED ASSEMBLY FORD MODEO WAGON	1
1	LUG	2
2	M16x45 2.0P BOLT	3
2	M16 SPRING WASHER	4
1	COMPLIANCE PLATE	5
8	M8x30 BOLT	6
8	M8 SPRING WASHER	7
8	M8x22x3.3MM FLAT WASHER	8
4	BOLT M12-1.75x40	9
4	SPRING WASHER 12x4x2.5	10
4	WASHER M12x28.8x3mm	11
2	LOOSE PLATE 50x10x50	12


ADDITIONAL ITEMS



WIRING LOOM



LR LABEL



FITTING INSTRUCTION



Towbar Fitting Instructions
To Suit **FORD MONDEO WAGON 2009 on**
Part Number **FD130L**
Rating **1200/120 kg**

PLACE THESE INSTRUCTIONS IN THE VEHICLE'S GLOVEBOX AFTER INSTALLATION IS COMPLETED

INSTRUCTION:

Note: Position the vehicle to a safe working height.

1. Remove Nuts x 2 from the bottom of the Bumper.

2. Remove torx Screws x 3 from the Wheel Arch.

Note: Passenger side shown, repeat the step for Driver side.

3. Remove torx Screws x 2 from under the boot lid.

Note: Passenger side shown, repeat the step for Driver side.

Flex the Bumper outwards, starting from the sides.

Note: Unhook the reverse Parking Sensor, while removing the bumper.

4. Remove and discard the Impact Beam by removing M10 Bolts (3 on the Passenger side and 4 on the Driver side).

5. Remove the Exhaust Rubber mounts and heat shield.

Note: Passenger side bracket shown, repeat the step for Driver side.

6. Locate Towbar assembly into the Chassis Rail and fit it up with the relevant Bolts supplied. Use M12 Bolts x 2, Spring Washer x 2 & Flat Washers x 2 on the side rails. Use M8 Bolts x 4, Spring Washers x 4 and Flat Washers x 4 on the back panel face.

Note: Repeat the step for Driver side.

7. Torque the bolts as mentioned on page 1.

8. Extend the existing cut on the Bumper as shown in the illustration (35mm on each side and 20mm along the length towards the bottom Nuts).

Note: Put masking tape on the area to be cut to avoid any damage to the Bumper Bar.

9. Drill holes x 2 (5mm) on the Driver side and fit the plug bracket from inside the Bumper.

Fit the heat shield and exhaust mounts back on.

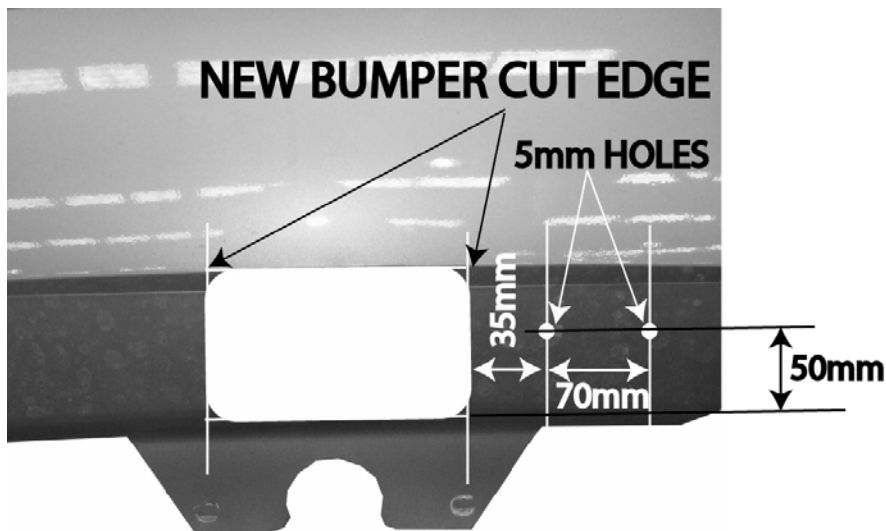
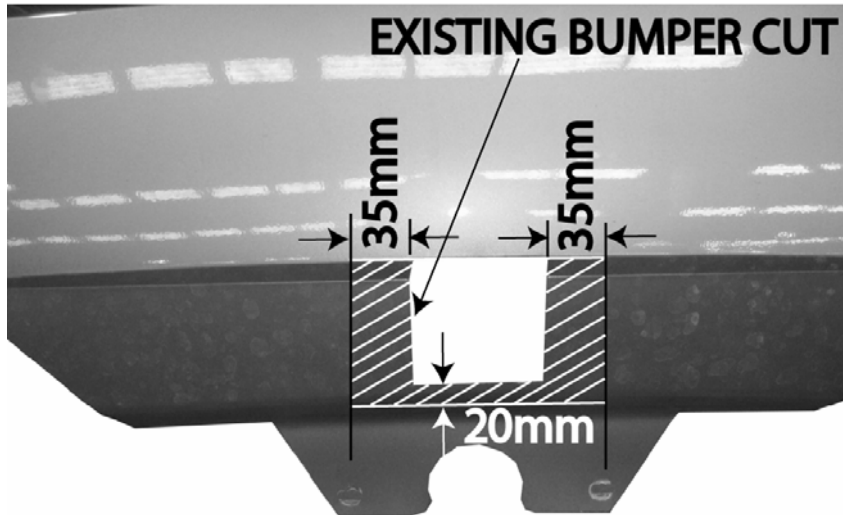
Fit the bumper back in the reverse order.

Note: Do not forget to connect the reverse parking sensor, while fitting the bumper back on.

TRAILBOSS

Towbar Fitting Instructions
To Suit **FORD MONDEO WAGON 2009** on
Part Number **FD130L**
Rating **1200/120** kg

PLACE THESE INSTRUCTIONS IN THE VEHICLE'S GLOVEBOX AFTER INSTALLATION IS COMPLETED





Wiring Loom Fitting Instructions
To Suit Ford Mondeo Wagon
Part Number 100215-WL

Wiring Loom Installation Instructions

Ford Mondeo Wagon
Part No: 100215-WL

Kit Part Includes:
Tail Length Required: 1200mm
ECU Required Part No: 04827
RPA Override Switch Part No: 04848 (If Fitted)

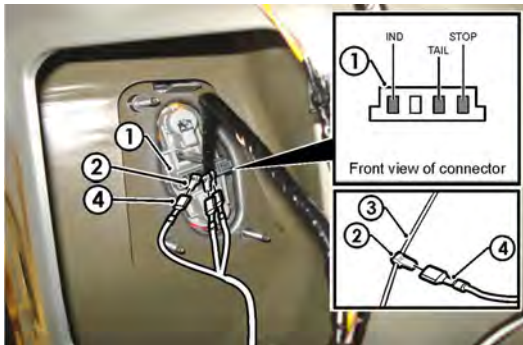
Wiring Loom Installation Time: Approx 45 Mins

Wiring Loom Fitting Instructions To Suit Ford Mondeo Wagon Part Number 100215-WL

1. Remove the rear bumper fascia fasteners and then remove the rear bumper.
2. Remove all trims required to gain access to the LHS and RHS tail light connectors.
3. Using a Ø2mm drill bit, drill into the indicated position on the rear LHS of the vehicle. Ensure all harnesses are kept clear behind the drilling point (1). Using a step drill bit, drill out a Ø31mm hole. File down any rough edges and spray on rust inhibitor.



4. Inside the vehicle, disconnect the tail light connector (1) and using the scotch locks (2) provided, patch into the vehicle harness tail light connector wires (3) and then connect the trailer harness (P/No: 100215-WL) terminals (4) to the scotch locks (2) by following the table below.



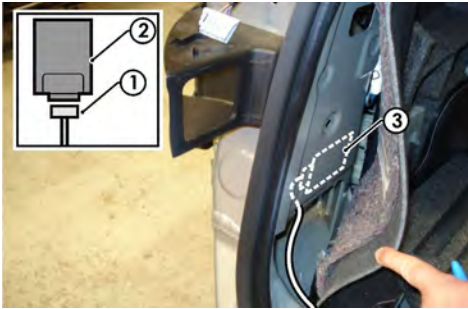
Function	Vehicle Harness (3)	Trailer Harness (4)
TAIL	PURPLE/GREEN	BROWN/BLACK
STOP	PURPLE/BROWN	RED/BLACK
INDICATOR	GREEN/ORANGE	YELLOW/BLACK

Note: If GREEN/ORANGE wire not present use GREY/ORANGE.

5. Secure a supplied Scotch Lock over the GREEN/BROWN reverse wire on the LHS reverse connector.
6. Connect the wire male terminal from the Trailer Patch Harness (P/No: 100215-WL) to the Scotch Lock.

Wiring Loom Fitting Instructions To Suit Ford Mondeo Wagon Part Number 100215-WL

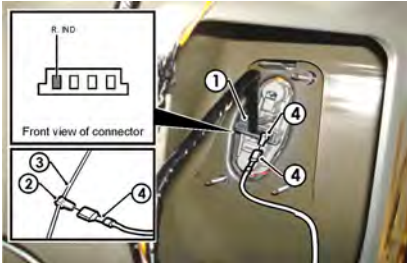
7. Connect the Trailer Patch Harness ECU connector (1) to the ECU (2). ECU mounting location (3) is on the outer side of the inner skin. Adhere the ECU (2) into place using double sided tape (not supplied).



8. Disconnect the LHS and RHS tail light connectors and patch the trailer patch harness (P/No: 100215-WL) connectors into the LHS tail light. Route the trailer patch harness across the chassis/crossbeam to the RHS tail lights. Patch the trailer patch harness connectors in between the RHS tail light.
9. Drill out a 10mm hole into the sheet metal area as indicated (1). Secure the trailer patch harness ground ring terminal (2) using an appropriate bolt and washer (3).



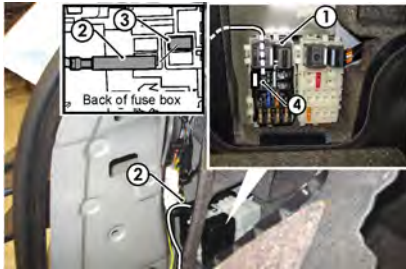
10. Disconnect the RHS tail light connector (1) and scotch lock (2) the trailer harness GREEN/ORANGE R. IND wire (3). Connect the trailer harness terminal (4) to the scotch lock. **Note: If GREEN/ORANGE wire not present use GREY/ORANGE.**



11. At the RHS luggage compartment sheet metal, secure the Trailer Patch Harness ground ring terminal to the vehicle grounding point.

Wiring Loom Fitting Instructions To Suit Ford Mondeo Wagon Part Number 100215-WL

- Carefully pull out the black fuse box (1) (refer to vehicle's owner's manual). Secure the harness terminal (2) to the back of the fuse position F9 (3) behind the indicated slot (3) position. At the front of the fuse box F9 position, insert a 20 Amp fuse (4).



- Secure the Tail Harness socket (tail length 1200mm) to the towbar mounting bracket using M4 fasteners (not supplied). Route the harness along the towbar and into the drilled out grommet hole. Adjust the harness grommet to the required position ensuring it is seated correctly. Secure the grommet to the harness using a cable tie (not supplied). Connect the Trailer Patch Harness 8-way female connector to the Tail Harness 8-way male connector.
- Test the Trailer socket using a light board or multi-meter.
- Secure all harnesses using cables ties (not supplied).
- Refit all removed parts and secure all fasteners.
- Place instructions in glove box after fitment.