

TRAILBOSS

Towbar Fitting Instructions
To Suit CITROEN BERLINGO VAN 02 / 2008 On
Part Number CIT001L
Rating 1100Kg

INSTALLATION INSTRUCTIONS

PLEASE ENSURE THAT INSTRUCTIONS ARE UNDERSTOOD PRIOR TO FITMENT



Installation Time: Approx 90 Mins

Towbar Installation Instructions

Towbar Capacity

CITROEN BERLINGO VAN 02 / 2008 On

Part Number CIT001L

Max Towing Braked 1100kg

Max Static Ball Load 70kg

TRAILBOSS

Towbar Fitting Instructions To Suit CITROEN BERLINGO VAN 02 / 2008 On Part Number CIT001L Rating 1100Kg

Warning:

Do not, drill, cut, weld or otherwise modify the towbar.

If you are using electric welding on a motor vehicle, **always** check that the vehicle is not equipped with electronic engine or instrument management equipment. Failure to do so could **destroy** any onboard computers. If in doubt, check with the vehicle's manufacturer.

General:

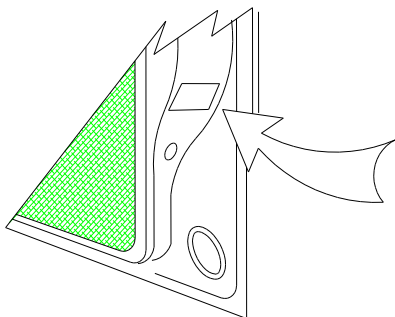
1. Ensure all hardware items have been included refer to assembly diagram.
2. It is recommended that the instructions are read through and completely understood before making any attempt to fit this product.
3. Be wary of any changes to vehicle designs or other accessories that may conflict with the installation of this product.
4. Before drilling ensure that the area is clear of fuel, electrical & other components.
5. All holes drilled into the body panels shall have all burrs & swarf removed then coated with a suitable rust preventative paint.
6. The high tensile fasteners supplied with this product were used to achieve the specified rating. If replacement is required ensure that fasteners of the same rating & quality are used. Contact an authorised **Trailboss** dealer if further information is required.
7. Ensure that all hardware is fastened to torque list below check fasteners on regular basis.
8. Towbar load rating sticker provided with this product shall be conspicuously located on inside rear end of the driver's door. **(See diagram below).**
9. **Trailboss** recommends that you check your tow ball to ensure that it complies with the Australian standards **AS 4177.2**.
10. **PLEASE NOTE:** It is advised to remove your lug or tbn when not actually towing so as to produce a clear view of the vehicles registration plate if obscured, and to also provide maximum available departure angle.
11. Pull Pin must be fit in down position.

Tow bar Maintenance and Care.

Trailboss recommends that bolt torque's, as listed below, are routinely and regularly inspected and checked for correct tension. Replace any worn or defective parts.

We recommended to remove Tow Ball Mounts (TBM's, tongues or lugs) when not being used for any considerable length of time. So as to avoid injury, when not towing it is suggested that the tongue, Pull Pin and R-clip are removed then stored in a safe, clean and dry place, away from excessive moisture.

Hitch Pull Pins and spring "R" clips are regularly checked for proper installation. Replace any worn or defective parts.



**Place load rating sticker
inside driver's door here**

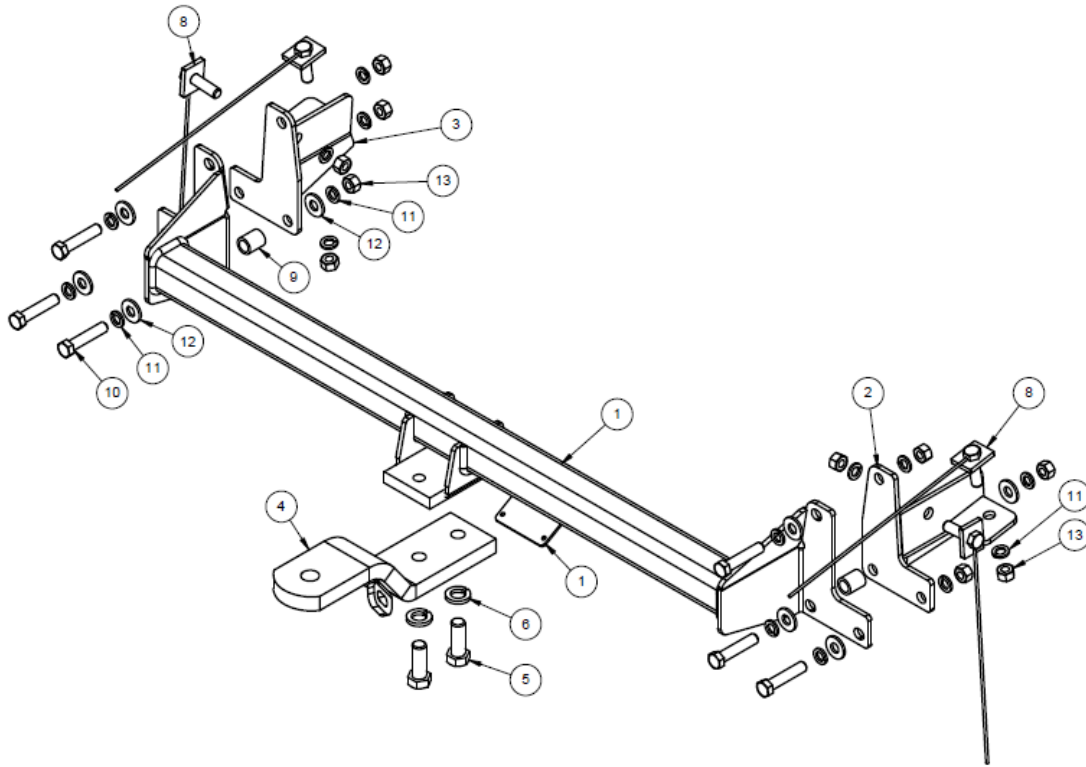
FOR TOWING PURPOSES ONLY
**For towing capacity details please refer to vehicle owner's manual or
to the manufacturer. Overloading can void your warranties.**

RECOMMENDED ASSEMBLY TORQUE LISTING

<u>Diameter</u>	<u>Grade 8.8 Bolt</u>	
M6		9.5 Nm
M8		21.7 Nm
M10		43.4 Nm
M12		77.3 Nm
M14		146 Nm
M16		235 Nm

TRAILBOSS

Towbar Fitting Instructions
 To Suit CITROEN BERLINGO VAN 02 / 2008 On
 Part Number CIT001L
 Rating 1100Kg



QTY.	DESCRIPTION	ITEM NO.
1	WELDED ASSY - TOWBAR	1
1	LOOSE BRKT ASSY - R.H.S	2
1	LOOSE BRKT ASSY - L.H.S	3
1	LUG & CHAIN LINK	4
2	M16 x 45 2.0P BOLT	5
2	M16 SPRING WASHER	6
1	BOLT PACK ASSEMBLY	7
4	LOOSE PLATE AND BOLT	8
2	SPACER TUBE	9
6	M12x55 1.75P BOLT	10
16	Wshr spring ft sec M12x4.0x2.5mm z/p	11
8	WASHER M12x28.8x3mm	12
10	M12x1.75 HEX NUT PC8	13



Towbar Fitting Instructions
To Suit CITROEN BERLINGO VAN 02 / 2008 On
Part Number CIT001L
Rating 1100Kg

Bumper Removal :

1. Remove two torque screws from underneath, bottom of bumper stays, both LH & RH side of vehicle.

Place screws to the side.

2. Remove scrivet from underneath rear-end side of bumper, both LH & RH side of vehicle.

Place scrivets to the side.

3. Remove torque screws from top outer edging of bumper, both LH & RH side of vehicle.

Place screws to the side.

4. Continue to remove torque screws from along top outer edging of bumper LH to RH side.

Place screws to the side.

5. Remove scrivet from the outside of wheel arch.

Fold back plastic covering to expose screw inside. Remove screw from inside archway.

Place scrivet and screw to the side.

Repeat procedure for LH & RH sides of vehicle.

From rear of vehicle, firmly grab sides of bumper and pull towards you, allowing bumper to be removed, place on stand.

Fitment of towbar:

6. Remove two existing bolts from impact beam LH & RH side of vehicle.

Drill diameter 13 holes through the two threaded holes, to allow the M12 x 55 Bolts to pass through.

Offer towbar to these mounting holes and secure with M12 x 55 bolts, spring washer and flat washers.

Tighten to torque specifications listed.

Towbar Fitting Instructions
To Suit CITROEN BERLINGO VAN 02 / 2008 On
Part Number CIT001L
Rating 1100Kg

Fitment of Reinforce Brackets:

7. Offer bracket assembly to inside rear panel, aligning holes in bracket over bolt threads.

Place spacer tube in-between bracket and towbar, secure with M12 x 55 bolt, (note) **flat washer**, spring washer and nut.

Secure other two holes in bracket with spring washer and nut.

Tighten to torque specifications listed.

Drill diameter 13 holes through rear most holes of bracket, to allow plate, bolt & wire to pass through.

Remove large grommet from chassis wall and insert plate, bolt & wire through holes previously drilled.

Secure with M12 spring washer and nut.

Repeat procedure for both LH & RH sides of vehicle.

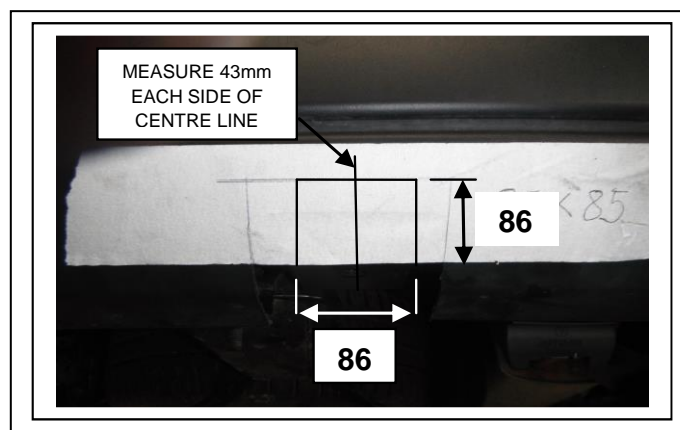
Bumper Cut-Out :

8. Place masking tape over area of bumper to be cut out, so as not to damage bumper bar skin.

Establish centre line of bumper, then mark out 43mm from each end of centre line, to a total of 86mm in width.

Measure up 86mm from bottom edge of bumper bar, mark out line.

Cut out marked line area with suitable saw or similar device, ensure cut is clean and free of burrs.





Towbar Fitting Instructions
To Suit CITROEN BERLINGO VAN 02 / 2008 On
Part Number CIT001L
Rating 1100Kg

9. Refit bumper bar in the reverse order steps, as from removal (steps 5 to 1)

10. Fit additional items to towbar. Items list shown in diagram on page 3



Wiring Loom Fitting Instructions
To Suit Citroen Berlingo
(2008 - Onwards)
Part Number 100732-WL

Wiring Loom Installation Instructions

Citroen Berlingo
(2008 – Onwards)
Part No: 100732-WL

ECU Required: 04826
Tail Harness Length Required: 1800mm
RPA Override Switch Part No: 04848 (If Fitted)

Wiring Loom Installation Time: Approx 25 Mins



Wiring Loom Fitting Instructions
To Suit Citroen Berlingo
(2008 - Onwards)
Part Number 100732-WL

1. At the rear of the vehicle, on the cargo hold door, remove the LHS pillar trim cover.
Repeat for the RHS.
2. On the LHS of the cargo hold, remove the side panel.
3. Inside the LHS rear pillar cavity, drill a grommet hole to Ø30mm.
4. Inside the LHS rear pillar cavity, remove the foam sponge to gain access to tail light connectors.
5. On the LHS of the rear pillar cavity, disconnect the tail light connectors and connect the trailer harness (P/No: 100732-WL) in between.
6. Route the trailer harness through the sponge foam and into the side cavity.
7. Secure the trailer harness ground ring terminal to the vehicle grounding point.
8. Locate the vehicle 2-way red connector from inside the cavity.
9. Secure the trailer harness 'ORANGE' wire terminal into the vehicle 2-way red connector No.2 pin location.
10. Connect the trailer harness 12-way connector to the ECU (04826).
11. Inside the side panel cavity, adhere double sided tape to the ECU and mount against the indicated area on the sheet metal.
12. Route the trailer harness up through the rear vehicle cavity using a guide wire.
13. Continue routing the trailer harness through the rear top cavity towards the RHS tail light connectors.
14. Inside the RHS rear pillar cavity, remove the foam sponge to gain access to the tail light connectors.
15. On the RHS of the rear pillar cavity, disconnect the tail light connectors and connect the trailer harness in between.
16. On the RHS of the engine bay, locate the fuse box.
17. Remove the fuse box cover.
18. Inside the fuse box, remove the module to gain access to the fuses.
19. Locate the vacant fuse slot.



Wiring Loom Fitting Instructions
To Suit Citroen Berlingo
(2008 - Onwards)
Part Number 100732-WL

20. Insert the supplied 40-amp fuse into the vacant fuse slot.
21. Connect the tail harness (tail length 1800mm) 8-way connector to the trailer patch harness mating 8-way connector.
22. Mount the trailer socket to the towbar bracket using M4 fasteners (not supplied).
23. Route the tail harness across the towbar towards the RHS of the vehicle and up through the previously drilled out hole.
24. Ensure the tail harness grommet is seated correctly and secure in place using a cable tie (not supplied).
25. Test the trailer harness function using a light board or multi meter.
26. Secure all harness using cable ties (not supplied).
27. Re-fit all removed parts and secure all fasteners, ensuring there are no squeaks or rattles.
28. Place instructions in glove box after fitment.